

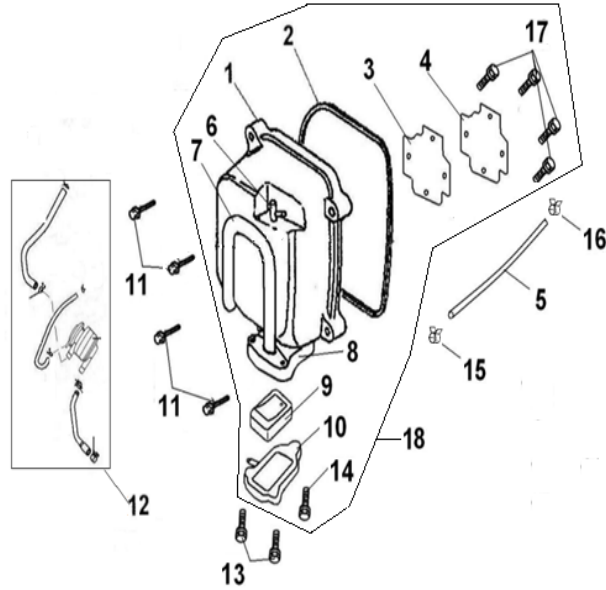


TRAILMASTER TAURUS 200U & 200MFV PARTS MANUAL

VERSION:1.0

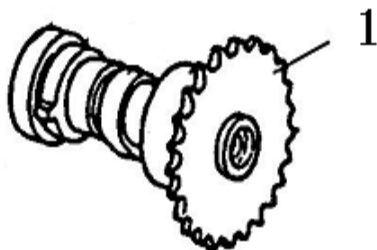
02/25/2019

EN-FIG 1: CYLINDER HEAD COVER ASSEMBLY



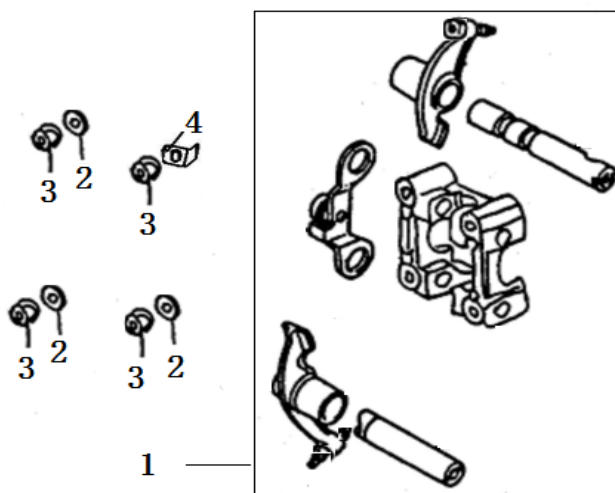
NO.	CODE	DESCRIPTION	QTY.
1	1ME1119100	COVER COMP HEAD	1
2	1ME1119300	GASKET HEAD COVER	1
3	1ME1116900	AERATION HEAD COVER	1
4	1ME1116800	AERATION CAP	1
5	1ME1119600	TUBE BREATHER	1
6	1ME1119700	TIE-IN	1
7	1ME1118000	AERATION TUBE ASSY	1
8	1ME1118800	WASHER	1
9	1ME1481000	AERATION WASHER 2	1
10	1ME1481100	WALVE ASSY	1
11	9184306022102300	BOLT M6×22 (GB/T16674.1)	4
12	1ME1482100	AIR INDUCTION SYSTEM ASSY	1
13	9184306040102300	BOLT M6×40 (GB/T16674.1)	2
14	9184306025102300	BOLT M6×25 (GB/T16674.1)	1
15	9673309000005300	HOOP 9	1
16	1MQ1248900	HOOP11	1
17	9214340060002300	SCREW M4×6 (GB/T 818)	4
18	1ME1119000	COVER COMP HEAD ASSY	1

En-Fig 2 CAMSHAFT COMP



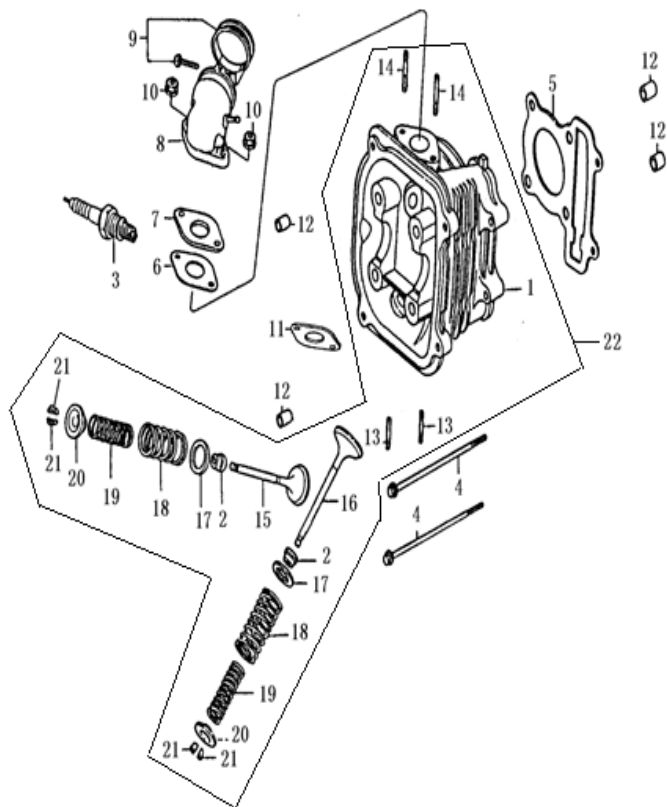
NO.	CODE	DESCRIPTION	QTY.
1	1ME1217000	CAMSHAFT COMP1	1

En-Fig 3: CAMSHAFT HOLDER COMP



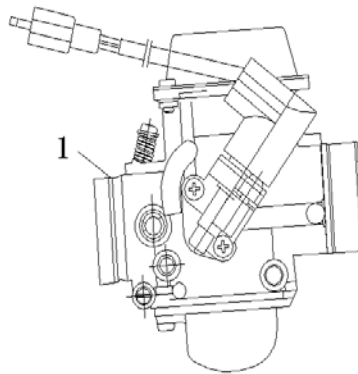
NO.	CODE	DESCRIPTION	QTY.
1	1ME1215000	HOLDER CAMSHAFT ASSY	1
2	9401308000005300	WASHER 8 (GB/T 97.1)	3
3	9320308013205300	NUT M8 (GB/T 6177.1)	4
4	1ME1216400	INLET VALVE ROCKER SHAFT BAFFLE	1

En-Fig 4: CYLINDR HEAD COMP



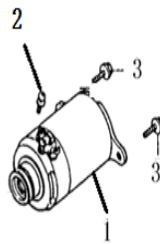
NO.	CODE	DESCRIPTION	QTY.
1	1ME1111100	HEAD COMP CYLINDER (200cc)	1
2	1ME1211900	SEAL VALVE STEM	2
3	1ME1355100	PLUG SPARK A7TC	1
4	9184306100102300	BOLT M6×100 (GB/T 16674. 1)	2
5	1ME1118100	GASKET CYLINDER HEAD (200CC)	1
6	1ME1355600	GASKET CARBURETOR INSULATOR	1
7	1ME1355500	INSULATOR CARBURETOR	1
8	1ME1358500	PIPE COMP IN ASSY	1
9	1ME1357500	BAND INSULATER	1
10	9320306010205300	NUT M6 (GB/T 6177. 1)	2
11	1ME1118500	Vent gasket 1	1
12	1ME1112100	PIN DOWEL 10×16	4
13	1ME1111300	BOLT M6×32	2
14	9126306050102300	BOLT M6×50 (GB/T 900)	2
15	1ME1212100	VALVE EX	1
16	1ME1211100	VALVE IN	1
17	1ME1211500	SEAT VALVE SPRING OUTER	2
18	1ME1211400	SPRING VALVE OUTER	2
19	1ME1211300	SPRING VALVE INNER	2
20	1ME1211700	RETAINER VALVE SPRING	2
21	1ME1211800	COTTER VALVE	4
22	1MEX111100	HEAD ASSY	1

En-Fig 5: CARBURETOR



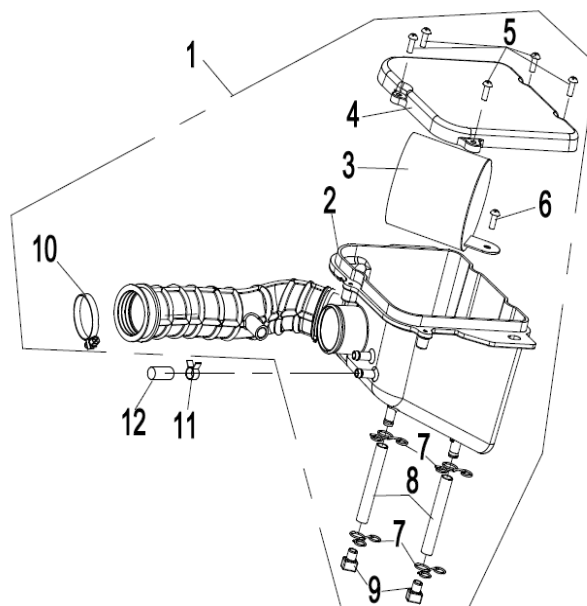
NO.	CODE	DESCRIPTION	QTY.	
1	1ME1410100	CARBURETOR ASSY	1	

En-Fig 6: STARTING MOTOR



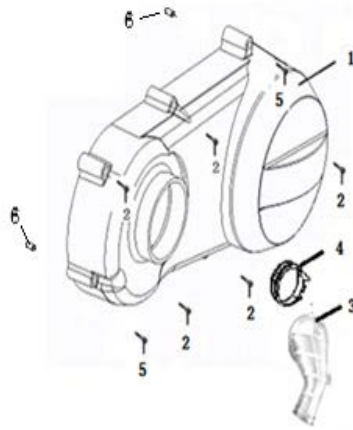
NO.	CODE	DESCRIPTION	QTY.	
1	1ME818910001	STARTING MOTOR	1	
2	9214305008005300	SCREW M5X8 (GB/T818)	1	
3	9184306016102300	BOLT M6×16 (GB/T 16674.1)	2	

En-Fig 7: AIR CLEANER



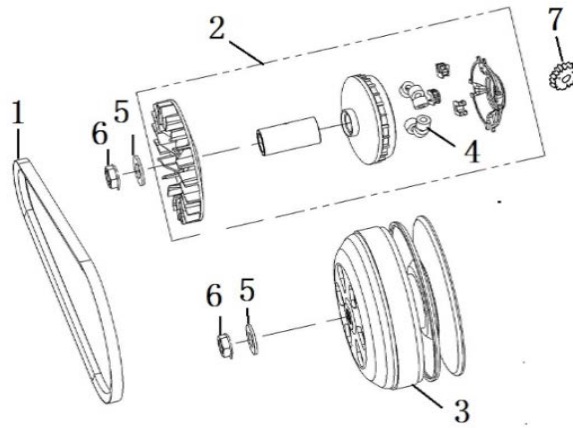
NO.	CODE	DESCRIPTION	QTY.	
1	1MF1441000	AIR FILTER COMPONENT	1	
2	1ME1441100	AIR CLEANER CASE	1	
3	1ME1445100	AIR CLEANER	1	
4	1ME1441200	AIR FILTER COVER		
5	9271348160006300	SCREW ST4.8×16 (GB/T 845)	5	
6	1ME1443700	AIR CLEANER NUT	1	
7	1ME1442300	CLAMP TUBE	4	
8	1ME1442500	HOSE	2	
9	1ME1442600	PLUG BREATHER TUBE	2	
10	1ME1442700	CLAMP	1	
11	9673307000005300	HOOP7	1	
12	1MF1445500	PVC Cover (φ8)	1	

En-Fig 8: LEFT CRANKCASE COVER



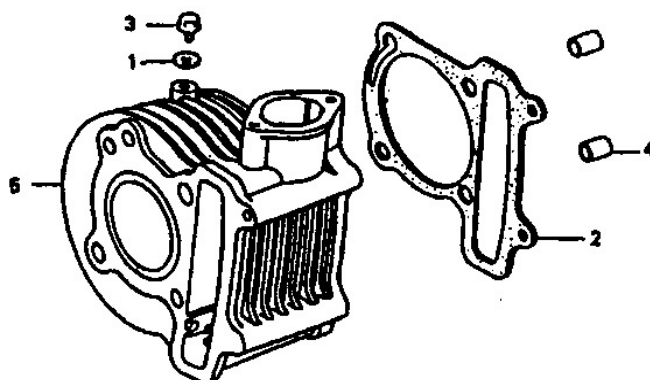
NO.	CODE	DESCRIPTION	QTY.
1	1ME1541000	COVER LEFT	1
2	9184306045102300	BOLT M6×45 (GB/16674. 1)	5
3	1ME1541200	LEFT COVER PIPE	1
4	1ME1541300	HOSE CLAMPS	1
5	9184306050102300	BOLT M6×50 (GB/16674. 1)	2
6	1ME1515500	PIN DOWEL 8×14	2

En-Fig 9: DRIVE PULLEY



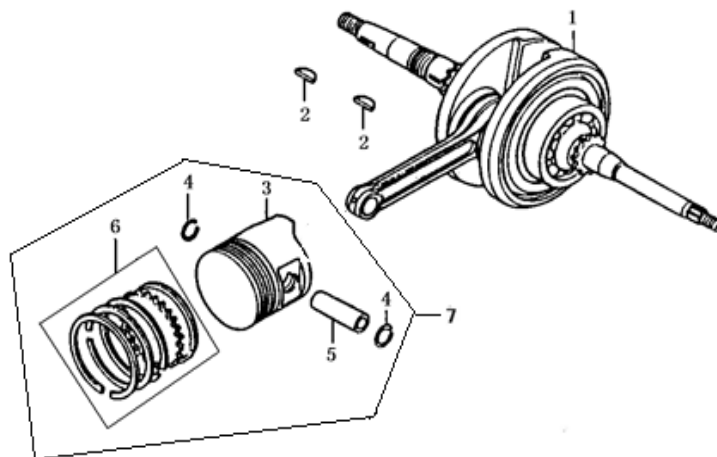
NO.	CODE	DESCRIPTION	QTY.
1	1ME1764100	DRIVE BELT	1
2	1ME1764000	DRIVER ASSY	1
3	1ME1761000	DRIVEN ASSY	1
4	1ME1761500	ROLLER SET WEIGHT (WEIGHT 10g)	6
5	9401312000031300	WASHER 12 (GB/T 97. 1)	2
6	9320312018205300	NUT M12×1. 25 (GB/T 6177. 2)	2
7	1ME1768100	GEAR KICK DRIVEN	1

En-Fig 10: CYLINDER COMP



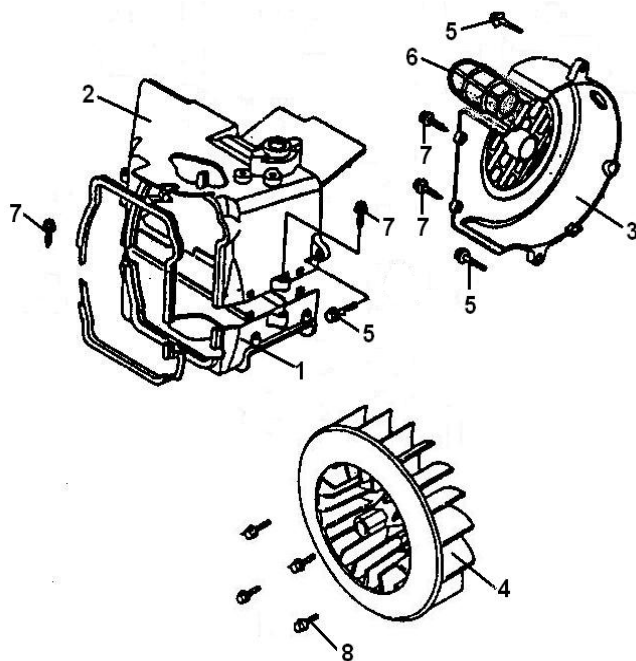
NO.	CODE	DESCRIPTION	QTY.
1	1ME1132100	WASHER 6.5	1
2	1ME1135100	GASKET CYLINDER	1
3	9184306012102300	BOLT M6×12 (GB/T16674.1)	1
4	1ME1112100	PIN DOWEL 10×16	2
5	1ME1131100	CYLINDER COMP	1

En-Fig 11: CRANKSHAFT COMP



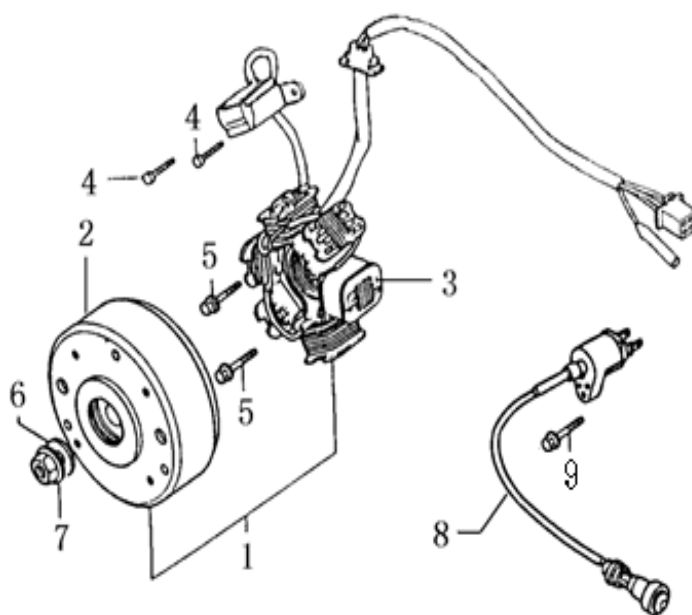
NO.	CODE	DESCRIPTION	QTY.
1	1ME1140000	CRANK SHAFT COMP	1
2	1ME1141800	KEY	2
3	1ME1163100	PISTON	1
4	1ME1163400	CLIP PISTON PIN 15MM	2
5	1ME1163300	PIN PISTON	1
6	1ME1160300	PISTON RING ASSY	1
7	1MEX116000	PISTON ASSY	1

En-Fig 12: FAN COMP



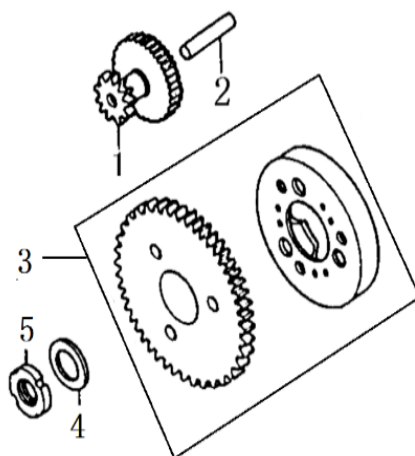
NO.	CODE	DESCRIPTION	QTY.	
1	1ME1265100	DOWM SHROUD COMP	1	
2	1ME1265300	UP SHROUD COMP	1	
3	1ME1265200	COVER COMP FAN	1	
4	1ME1261100	PAN COMP COOLING	1	
5	9184306025102300	BOLT M6×25 (GB/T16674.1)	3	
6	1ME1265400	COOLING CATHETER	1	
7	9271348160002300	SCREW ST4.8×16 (GB/T 845)	4	
8	9184306018102300	BOLT M6×18 (GB/T16674.1)	4	

En-Fig 13: GENERTOR ASSY



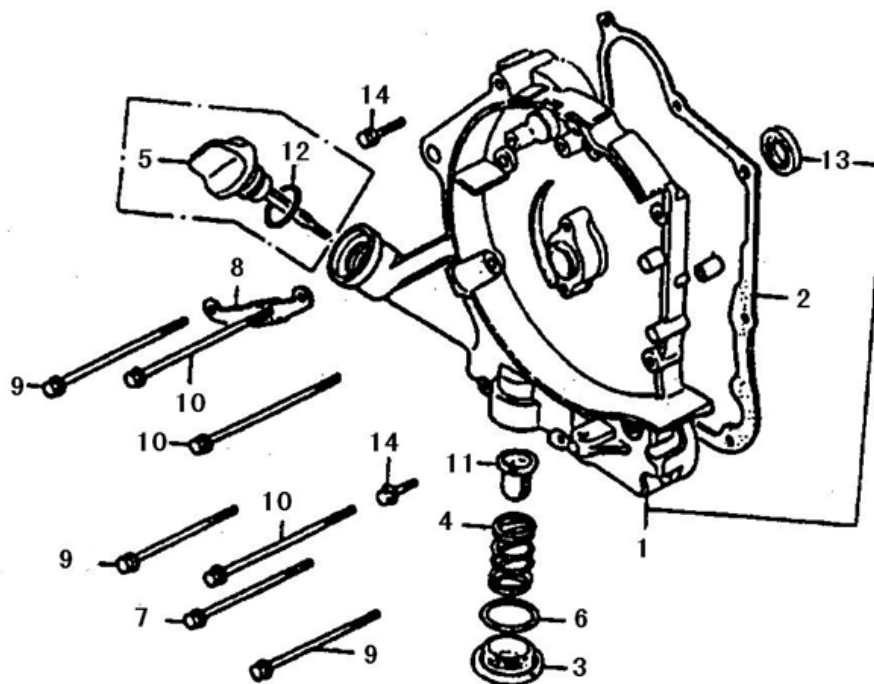
NO.	CODE	DESCRIPTION	QTY.	
1	1ME8140000	GENERATOR ASSY FLYWHEEL TYPE A. C	1	
2	1ME8142000	ROTOR	1	
3	1ME8141000	STATOR	1	
4	9214350100002300	SCREW M5×10 (GB/T 818)	2	
5	9218260250100000	SCREW M6×25 (GB/T 70.1)	2	
6	9401312000031300	WASHER 12 (GB/T 97.1)	1	
7	9320312018205300	NUT M12×1.25 (GB/T 6177.2)	1	
8	1ME8148000	COIL ASSY IGNITION	1	
9	9186306025161300	GB/T 5789 M6×25	1	

En-Fig 14: MOTOR STARTER COMP



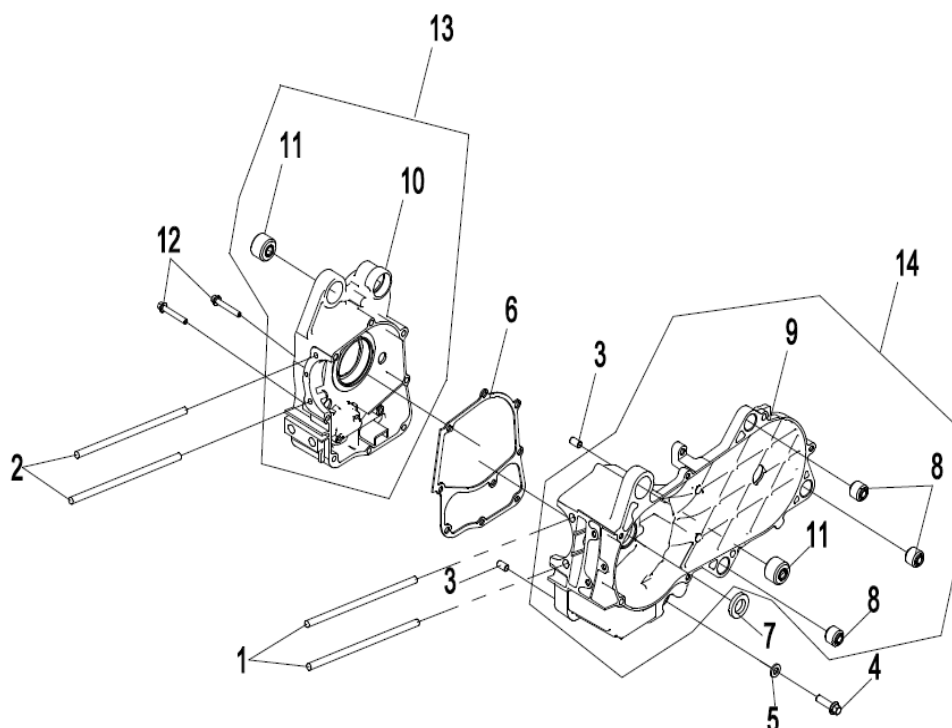
NO.	CODE	DESCRIPTION	QTY.	
1	1ME1551200	GEAR STARTER REDUCTION	1	
2	1ME1552100	SHAFT STARTER REDUCTION GEAR	1	
3	1ME1559000	STARTER CLUTCH	1	
4	1ME1553200	STARTER CLUTCH WASHER	1	
5	1ME1553100	NUT	1	

En-Fig 15: RIGHT CRANKCASE COVER COMP



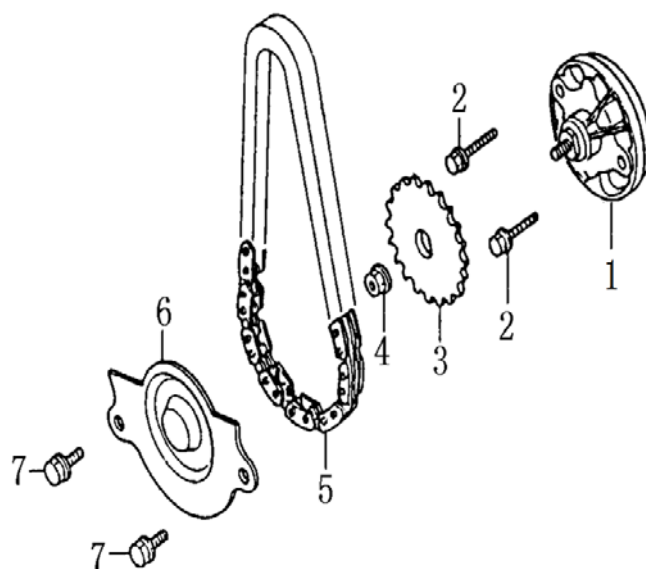
NO.	CODE	DESCRIPTION	QTY.
1	1ME1541700	RIGHT CRANK CASE COVER	1
2	1ME1545300	GASKET R CRANKCASE COVER	1
3	1ME1535100	CAP TAPPET ADJUSTING HOLE	1
4	1ME1535200	SPRING OIL FILTER SCREEN	1
5	1ME1536700	GAUGE OIL LEVEL	1
6	1ME1536800	O-RING 31×3	1
7	9184306110102300	BOLT M6×110 (GB/T 16674. 1)	1
8	1ME1548100	CLAMPER A. C. GENERATOR CORD	1
9	9184306100102300	BOLT M6×100 (GB/T 16674. 1)	3
10	9184306095102300	BOLT M6×95 (GB/T 16674. 1)	3
11	1ME1535300	SCREEN OIL FILTER	1
12	1ME1535410	O-RING 18×3	1
13	1ME1142500	OIL SEAL 19. 8×30×5	1
14	9184306030102300	BOLT M6×30 (GB/T 16674. 1)	2

En-Fig 16: CRANKCASE COMP



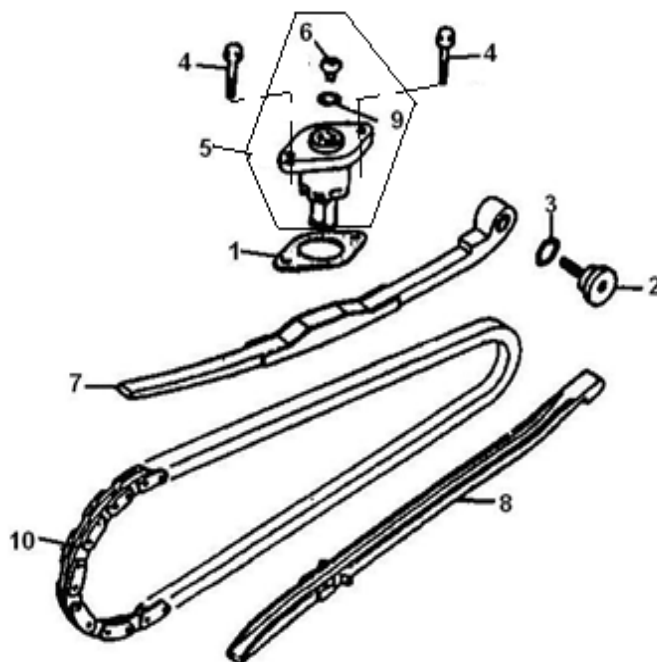
NO.	CODE	DESCRIPTION	QTY.	
1	1ME1512100	BOLT STUD M8×195	2	
2	1ME1512200	BOLT STUD M8×187	2	
3	1ME1515500	PIN DOWEL 8×14	2	
4	1ME1516100	BOLT DRAIN PLUG 12MM	1	
5	1ME1516200	WASHER 12	1	
6	1ME1513000	GASKET CRANKCASE (200cc)	1	
7	1ME1141200	OIL SEAL 19.8×30×5	1	
8	1ME1515200	BUSH ENGINE HANGER RUBBER	3	
9	1MF1511000	CRANKCASE ASSY LEFT	1	
10	1ME1521000	CRANKCASE ASSY RIGHT	1	
11	1ME1515100	BUSH ENGINE HANGER RUBBER	2	
12	9184306050102300	BOLT M6×50 (GB/16674.1)	2	
13	1MFX151200	CRANKCASE ASSY RIGHT	1	
14	1MFX151100	CRANKCASE ASSY LEFT	1	

En-Fig 17: OIL PUMP COMP



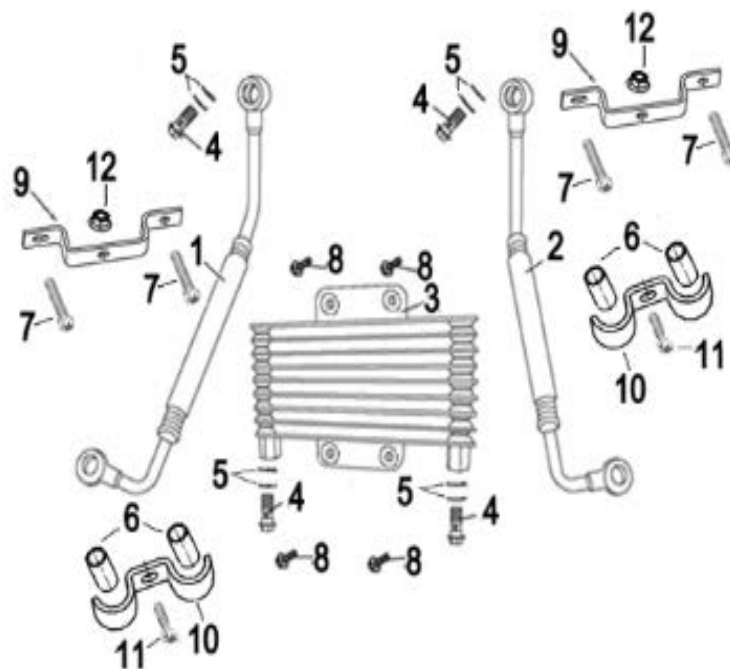
NO.	CODE	DESCRIPTION	QTY.	
1	1ME1330000	OIL PUMP COMP	1	
2	9184306025102300	BOLT M6×25 (GB/T16674.1)	2	
3	1ME1332500	SPROCKET OIL PUMP DRIVEN	1	
4	9320306010205300	NUT M6 (GB/T 6177.1)	1	
5	1ME1333000	CHAIN OIL PUMP	1	
6	1ME1332600	SEPARTOR OIL	1	
7	9184306012102300	BOLT M6×12 (GB/T16674.1)	2	

En-Fig 18: CHAIN CAM COMP



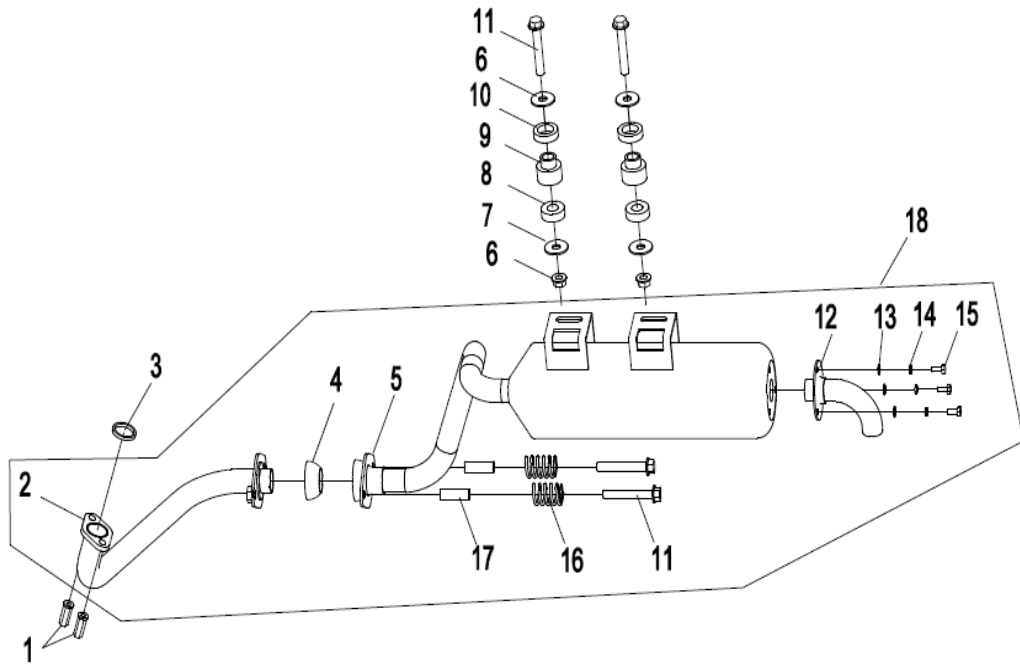
NO.	CODE	DESCRIPTION	QTY.	
1	1ME1221300	GASKET TENSIONER LIFTER	1	
2	1ME1225100	PIVOT CAM CHAON TENSIONER	1	
3	1ME2359200	O-RING 14×2.65	1	
4	9184306025102300	BOLT M6×25 (GB/T16674.1)	2	
5	1ME1221000	LIFTER ASSY TENSIONER	1	
6	1ME1223300	SCREW PAN	1	
7	1ME1223100	TENSIONER CAM CHAIN COMP	1	
8	1ME1224100	GUIDE COMP CAM CHAIN	1	
9	1ME1223000	O-RING 10×1.8	1	
10	1ME1219000	CHAIN CAM	1	

En-Fig 19: Oil cooler ASSY



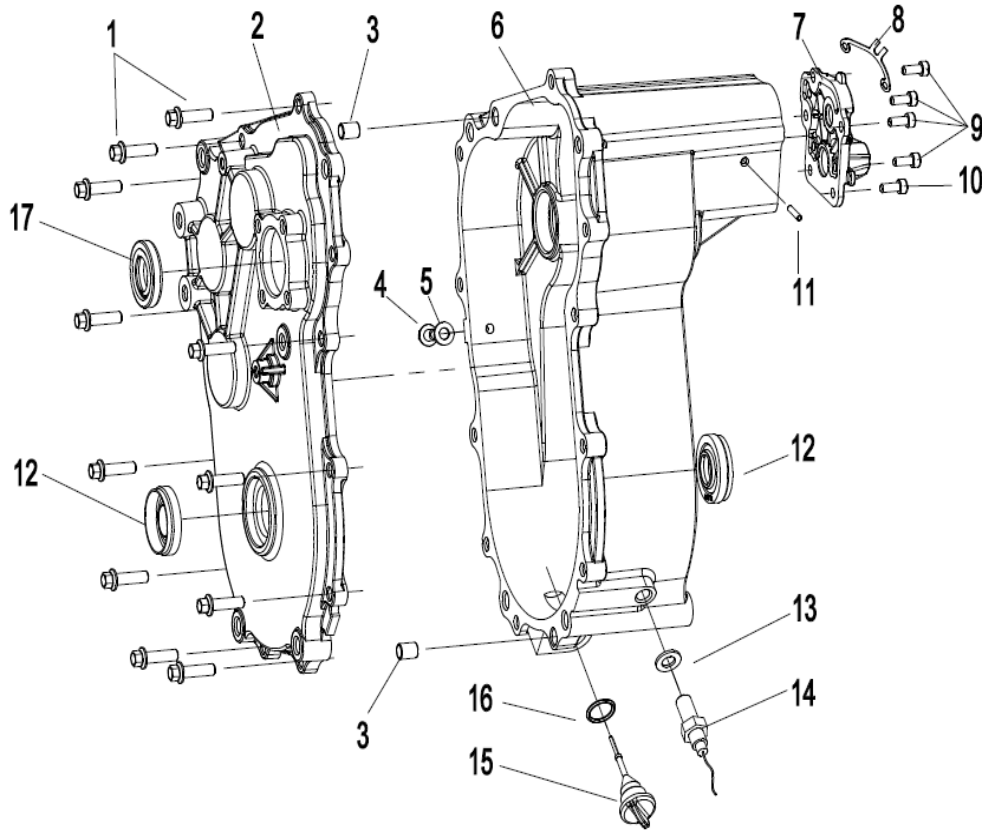
NO.	CODE	DESCRIPTION	QTY.	
1	1ME134220001	RIGHT OIL HOSE	1	
2	1ME134230001	LEFT OIL HOSE	1	
3	1ME1342400	OIL RADIATOR	1	
4	1ME1342500	DRAIN PLUG	4	
5	1ME1342600	WASHER	8	
6	1MU5040100	Rubber	4	
7	9184306018102300	BOLT M6×18 (GB/T 5789)	4	
8	9184306035166300	BOLT M6×35 (GB/T 5789)	4	
9	1ME1342900	UPPER CLAMPING PLATE	2	
10	1ME1343000	UPPER CLAMPING PLATE	2	
11	9184306012161300	BOLT M6×12 (GB/T 16674.1)	2	
12	9330306010141300	NUT M6 (GB/T 6187.1)	4	

En-Fig 20: MUFFLER



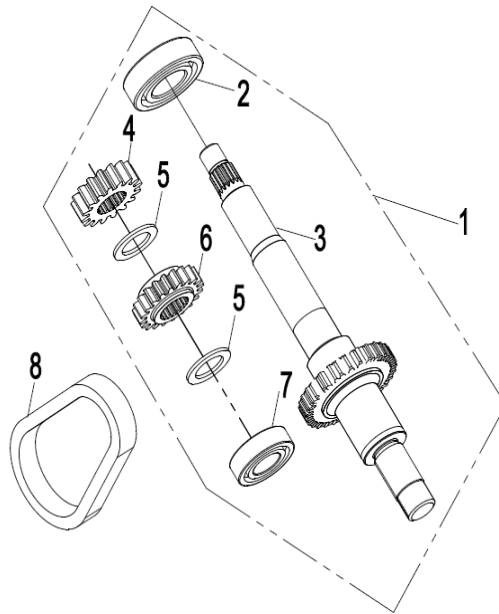
NO.	CODE	DESCRIPTION	QTY.
1	1ME1471500	SLIENCER FIXING NUT	2
2	1MF1471100	EXHAUST PIPE	1
3	1ME1471400	EXHAUST PIPE GASKET	1
4	1MF1471200	MUFFLER JOINT	2
5	1MF1471000	MUFFLER Cylinder	1
6	9330310015261300	NUT M10×1.25 (GB/T 6187.2)	2
7	9402310000031300	WASHER 10 (GB/T 96.1)	4
8	1MU502010001	INSULATION PAD	2
9	1MU5010100	TRANSMISSION DAMPER UPPER A	2
10	1MU5010200	TRANSMISSION DAMPER UPPER B	2
11	9186310060281300	BOLT M10×1.25×60 (GB/T 5789)	2
12	1MF1471500	TAIL PIPE	1
13	9401306000031300	FLAT PAD 6	3
14	9403106000000000	ELASTIC WASHER6	3
15	9151306016161300	BOLT M6X16	3
16	1MF1462100	SPRING	2
17	1MF1463100	SLIENCER LIMIT RING	2
18	1MF1470000	MUFFLER	

En-Fig 21: GEAR-BOX



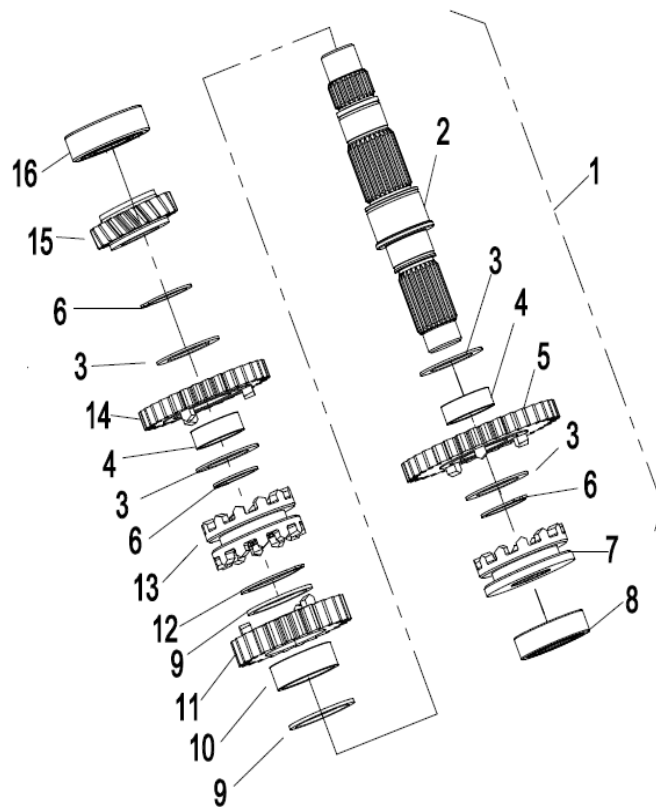
NO.	CODE	DESCRIPTION	QTY.
1	9184308028362300	BOLT M8X28	11
2	1MF2351200	GEARBOX LEFT COVER	1
3	1ME2355300	DOWEL	2
4	9184308016362300	BOLT M8X12	1
5	1MQ2359300	OIL DRAIN SPACER 8. 2X16X2	1
6	1MF2351100	GEARBOX CASE	1
7	1MF2355400	SHIFT SMALL CAP	1
8	1MF2358200	STALL BRACKET	1
9	9218306015160000	BOLT SOCKET HEAD M6X15	4
10	9218306020362300	BOLT SOCKET HEAD M6X20	1
11	1MQ2355600	VENTILATION MOUTH LINER	1
12	1ME2354600	OIL SEAL 22×48×11	2
13	1ME1516200	ALUMINIUM WASHER	1
14	1MU8093000	SPEED SENSOR	1
15	1ME2355530	OIL PLUG	1
16	1ME1535400	O-RING 18X2. 65	1
17	1MQ2354600	OIL SEAL 25×47×8	1

En-Fig 22: SPINDLE ASSY.



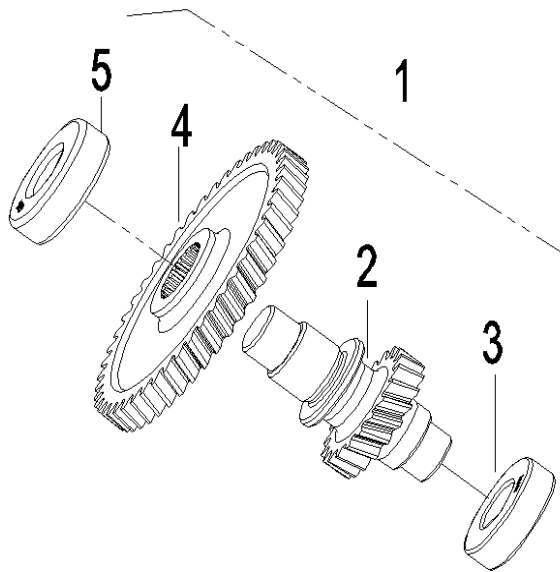
NO.	CODE	DESCRIPTION	QTY.	
1	1MF2352000	SPINDLE ASSY.	1	
2	93306205X5	BEARING 6205	1	
3	1MF2352100	SPINDLE	1	
4	1MQ2352700	DRIVE SPROCKET	1	
5	1MQ2352810	GASKET 21X30X2	1	
6	1MQ2352500	LOW SPEED DRIVE GEAR 16T	1	
7	93306004X5	BEARING 6004	1	
8	1MQ2352600	TOOTHED CHAIN	1	

En-Fig 23: COUNTERSHAFT ASSY.



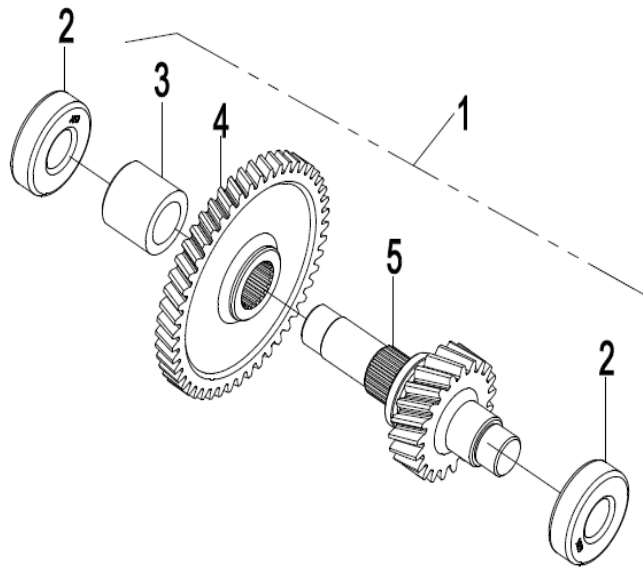
NO.	CODE	DESCRIPTION	QTY.
1	1MF2353000	COUNTERSHAFT ASSY.	1
2	1MQ2353100	COUNTERSHAFT	1
3	1MQ2353400	GASKET25X38X1.2	4
4	1ME2353200	NEEDLE BEARING 25X29X10	2
5	1MQ2354500	LOW SPEED DRIVEN GEAR 35T	1
6	9431125000000000	SHAFT RING 25X2	3
7	1MF2353800	LOW SPEED SHIFT DISC	1
8	93306004X5	BEARING 6004	1
9	1MQ2353700	GASKET32X39.5X1.8	2
10	9971032371300000	NEEDLE BEARING 32X37X13	1
11	1MQ2354700	DRIVEN SPROCKET	1
12	9431132000000000	SHAFT RING 32	1
13	1ME2353900	DOUBLE SIDE SHIFT DISC	1
14	1MQ2354300	HIGH SPEED DRIVEN GEAR 31T	1
15	1MF2353200	TRANSITION GEAR 19T	1
16	93306204X5	BEARING 6204	1

En-Fig 24: INTERMEDIATE SHAFT ASSY.



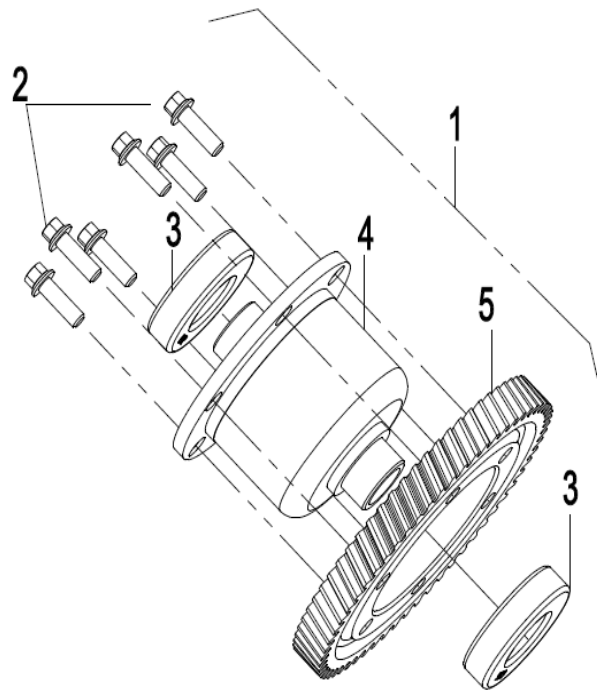
NO.	CODE	DESCRIPTION	QTY.	
1	1MF2354000	INTERMEDIATE SHAFT ASSY.	1	
2	1MF2354100	INTERMEDIATE SHAFT	1	
3	93306004X5	BEARING 6004	1	
4	1MF2354200	GEAR 48T	1	
5	93306204X5	BEARING 6204	1	

En-Fig 25: SECONDARY SHAFT ASSY.



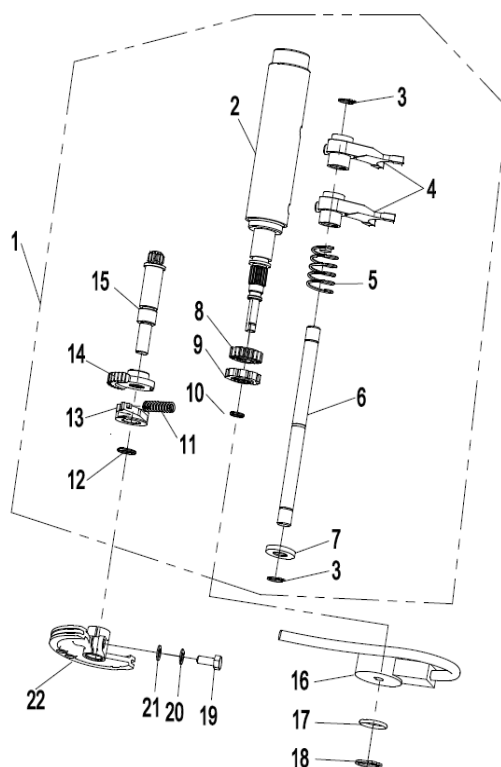
NO.	CODE	DESCRIPTION	QTY.	
1	1MF2355000	SECONDARY SHAFT ASSY.	1	
2	93306204X5	BEARING 6204	2	
3	1MF2355200	BUSHING 21x32	1	
4	1MF2354200	GEAR 48T	1	
5	1MF2355100	SECONDARY SHAFT	1	

En-Fig 26: OUTPUT SHAFT ASSY.



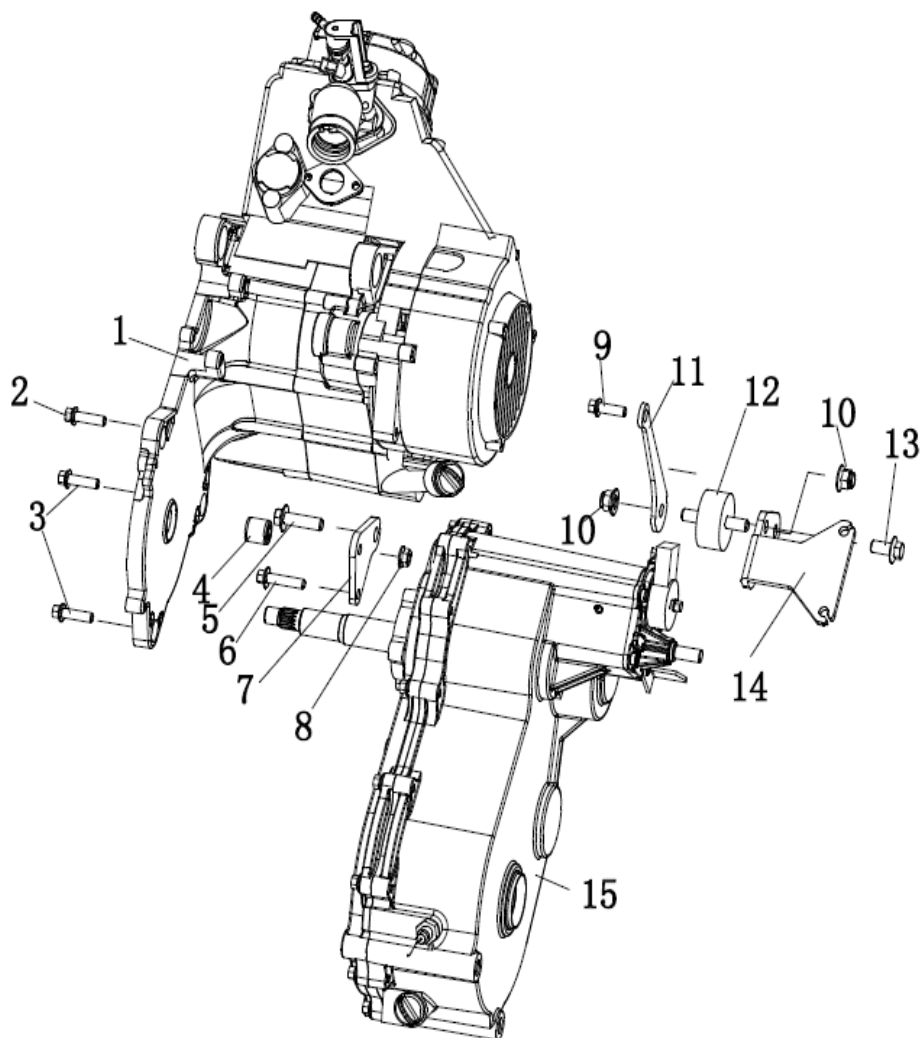
NO.	CODE	DESCRIPTION	QTY.	
1	1MF2356000	OUTPUT SHAFT ASSY.	1	
2	9184308025262300	BOLT M8×25 (GB/T 16674.1)	6	
3	93306206X5	BEARING 6206	2	
4	1ME2354800	OUTPUT SHAFT	1	
5	1MF2356200	OUTPUT GEAR 62T	1	

En-Fig 27: SHIFTING MECHANISM ASSY.



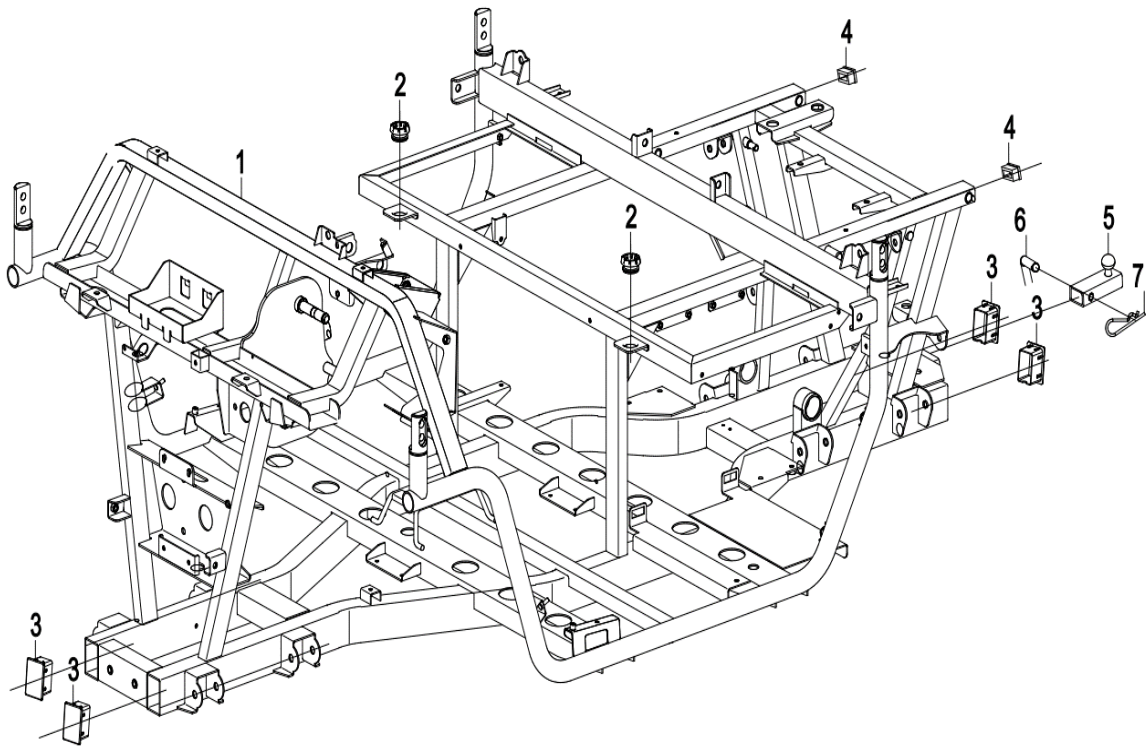
NO.	CODE	DESCRIPTION	QTY.	
1	1MF2358000	SHIFTING MECHANISM ASSY.	1	
2	1MF2358100	SHIFT DRUM	1	
3	9431112000000000	SNAP RING 12 (GB894. 1)	2	
4	1MQ2358800	SHIFT FORK	2	
5	1MQ2359200	LOW SPEED FORK SPRING	1	
6	1MQ2358900	SHIFTING FORK SHAFT	1	
7	1MQ2359400	SHIFT SPRING COVER	1	
8	1MQ2358300	SHIFT GEAR	1	
9	1MQ2358400	SHIFT CAM	1	
10	1MQ2359600	O-RINGS 9X1. 8	1	
11	1MQ2358700	SHIFT LIMIT SPRING	1	
12	1MQ2359500	O-RINGS 13X1. 8	1	
13	1MQ2358500	SHIFT STOP ROCKER	1	
14	1MQ2358200	SHIFTING GEAR	1	
15	1MQ235860001	SHIFT SHAFT	1	
16	2MU8062000	FILE DISPLAY	1	
17	9401310000031300	FLAT PAD 10	1	
18	9431232000001100	SHAFT RING 9	1	
19	915130601562300	BOLT M6X15	1	
20	9403306000002300	ELASTIC WASHER	1	
21	9401306000031300	FLAT PAD 6	1	
22	1ME2359600	SHIFT CABLE TRAY	1	

En-Fig 28: ENGINE CONNECTION



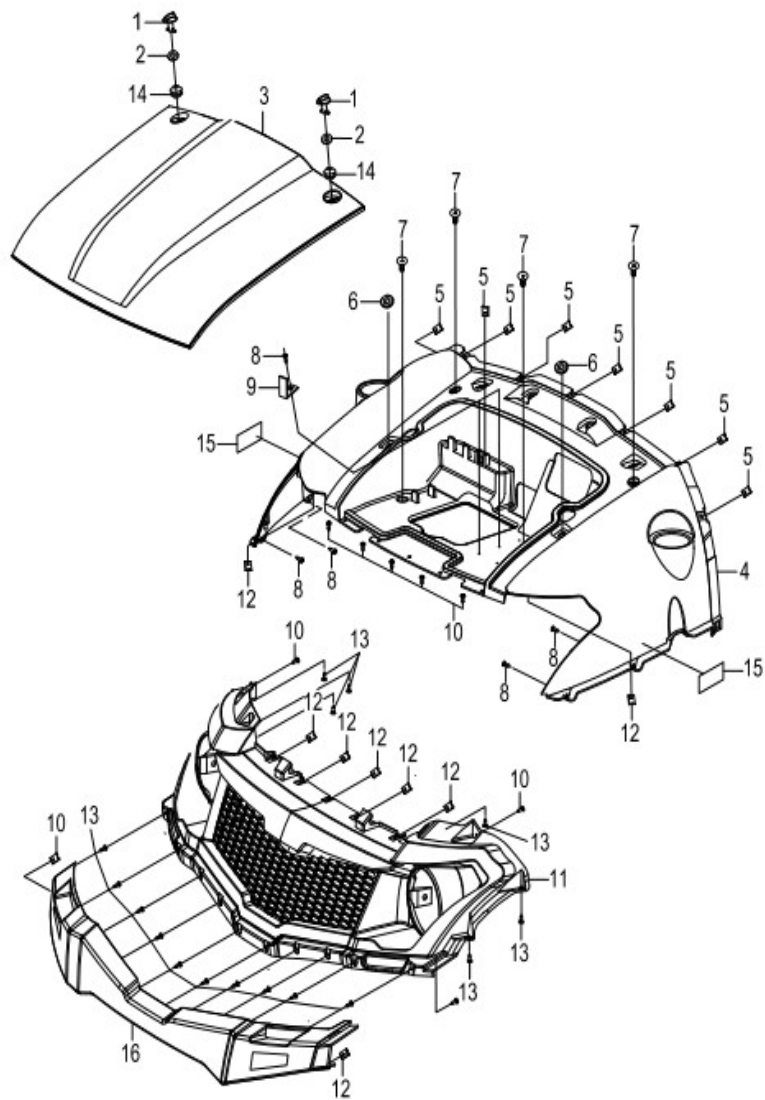
NO.	CODE	DESCRIPTION	QTY.
1	1MF1000000	ENGINE ASSEMBLY	1
2	9186308055262300	BOLT M8×55 (GB/T 16674. 1)	1
3	9184308030202300	BOLT M8×30 (GB/T 16674. 1)	2
4	1ME1515200	REAR ELASTIC INSTALLATION SECTION	1
5	9186310030281300	FLANGE BOLT M10X1. 25X30	1
6	9184308035202300	BOLT M8X35	1
7	1MF2351400	CONNECTING PLATE LEFT	1
8	9330308013241300	NUT M8	1
9	9184308025262300	BOLT M8X25	1
10	9330310015261300	NUT M10 GB/T 6187. 2	2
11	1MF2351800	SIDE PANEL	1
12	1MU5012000	SHOCK PAD	1
13	9186310020281300	BOLT M10X1. 25X20	1
14	1MF2351600	CONNECTING PLATE	1
15-1	1MF235000AA	GEARBOX ASSY	1

- 26 -
1- FRAME



NO.	CODE	DESCRIPTION	QTY.	
1	1MU5300000	Frame	1	
2	1MU5130200	Rubber Set, Seat	2	
3	1MU6033010	Plug	4	
4	1MU7087300	Plug 40×20	2	
5	1MU7014000	Trailer Ball ASSY	1	
6	1MU7080700	Thumb Lock	1	
7	9501304075000000	B Shape Pin	1	

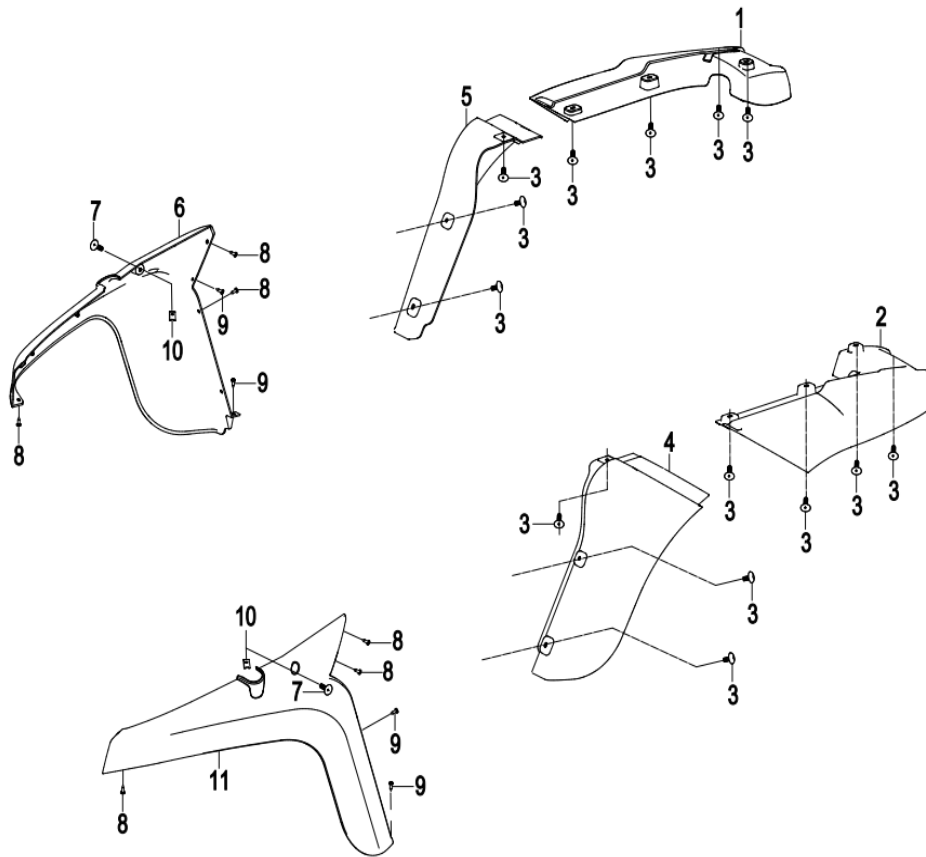
- 27 -
2- HOOD



NO.	CODE	DESCRIPTION	QTY.	
1	1MU6011410	Fixed Hood Latch Hook	2	
2	1MU6011500	Ring	4	
3	1MU60112041	Removable Hood Cover(Red)	1	
	1MU60112072	Removable Hood Cover(Blue)	1	
	1MU60112025	Removable Hood Cover(Pearl White)	1	
	1MU60112081	Removable Hood Cover(Camo)	1	
	1MU60112014	Removable Hood Cover(Carbon Fiber)	1	
	1MU60112055	Removable Hood Cover(Orange)	1	
4	1MU60111041	Removable Hood(Red)	1	
	1MU60111072	Removable Hood(Blue)	1	
	1MU60111025	Removable Hood(Pearl White)	1	
	1MU60111081	Removable Hood(Camo)	1	
	1MU60111014	Removable Hood(Carbon Fiber)	1	
	1MU60111055	Removable Hood(Orange)	1	
5	9312306000105300	Spring Nut M6 (QC/T 608)	9	
6	1MU6011300	Fixed Hood Ring	2	

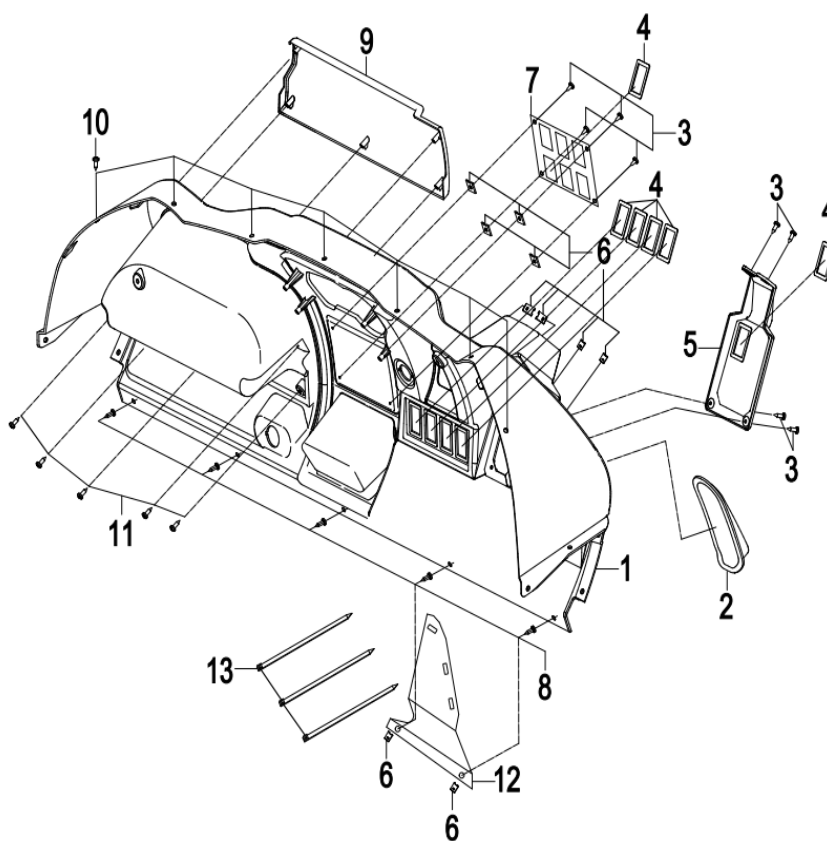
7	9275360160111300	Screw M6×16 (GB/T 973)	6	
8	9271342160002300	Screw ST4.2×16 (GB/T 845)	6	
9	1MU514040121	Dump valve Frame	2	
10	9271348160006300	Screw ST4.8×16 (GB/T 845)	6	
11	2MU60131012	Grill, Front (Black)	1	
12	9397342000002300	Spring Nut ST4.2 (Q397A)	9	
13	9271342130006300	Screw ST4.2×13 (GB/T 845)	16	
14	1MU5660400	Shift Rod Rubber Sleeve	2	
15	1MU6140810	Reflecting Film(Amber)	2	
16	2MU6013210	Grill, Front Connecting Plate (Silvery White)	1	

- 29 -
3- FENDER



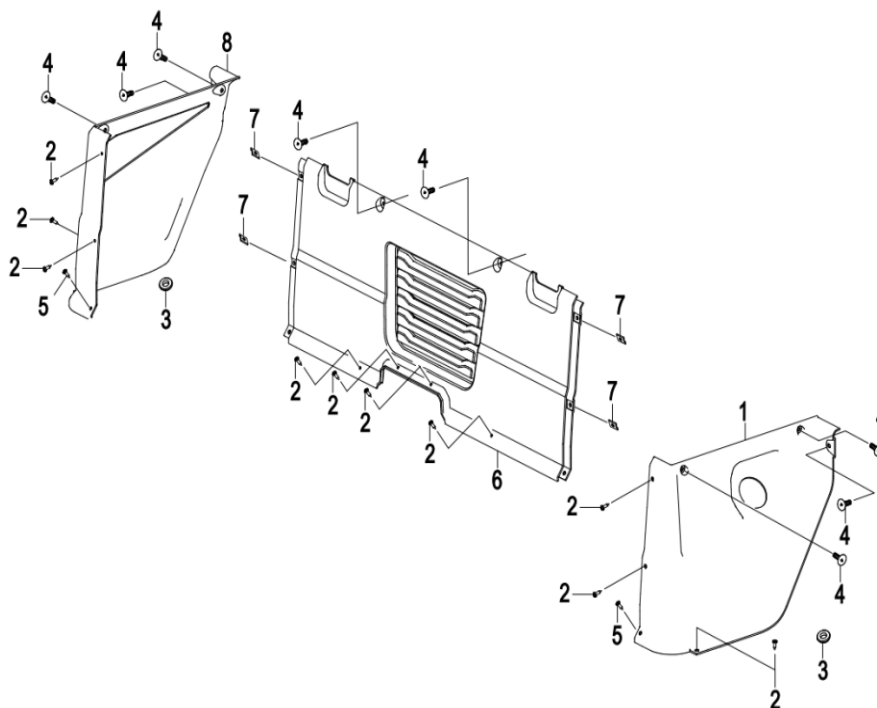
NO.	CODE	DESCRIPTION	QTY.
1	1MU603111001	RR Upper Rear Mudguards Rear	1
2	1MU602811001	LR Upper Rear Mudguards Rear	1
3	9275360160111300	Screw M6×16 (GB/T 973)	22
4	1MU602710001	LR Upper Rear Mudguards Front	1
5	1MU602910001	RR Upper Rear Mudguards Front	1
6	2MU601810001	Upper Front Mudguards , RH	1
7	9275360250111300	Screw M6×25 (GB/T 973)	2
8	9271348160006300	SCREW ST4.8×16 (GB/T 845)	4
9	9271348190006300	Screw ST4.8×19 (GB/T 845)	4
10	9312306000105300	Spring Nut M6 (QC/T 608)	2
11	2MU601710001	Upper Front Mudguards , LH	1

4- DASHBOARD



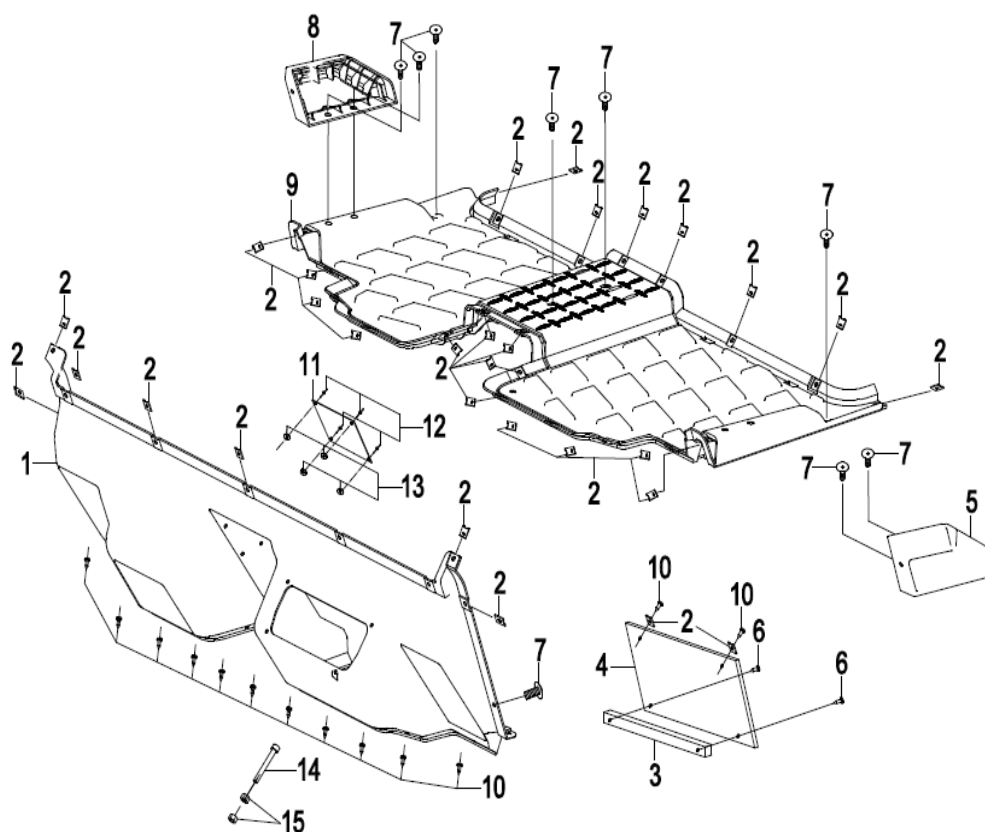
NO.	CODE	DESCRIPTION	QTY.	
1	1MU601411001	Panel, Instrument	1	
2	1MU5650100	Cover, Shift Lever	1	
3	9271348160006300	Screw ST4.8×16 (GB/T 845)	11	
4	1MU6014500	Switch Cover	6	
5	1MU601421001	Steering Wheel Under Cover	1	
6	9397342000002300	Spring Nut ST4.2 (Q397A)	10	
7	1MU6014600	Switch Plate	1	
8	9271348190006300	Screw ST4.8×19 (GB/T 845)	2	
9	1MU601440001	Cover, Glove box	1	
10	9275360160111300	Screw M6×16 (GB/T 973)	7	
11	9271342130006300	Screw ST4.2×13 (GB/T 845)	5	
12	1MU6032100	The Water Retaining Plate	1	
13	9928042000000000	Tie L=4×200	3	

- 31 -
5- SIDE COVER



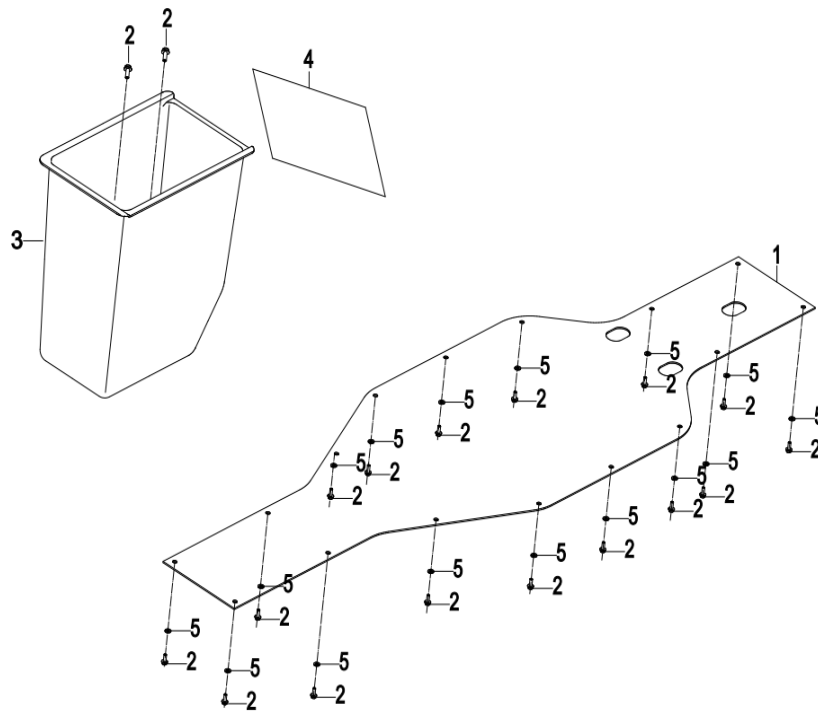
NO.	CODE	DESCRIPTION	QTY.	
1	1MU602410001	Left Mudguards	1	
2	9271348160006300	Screw ST4.8×16 (GB/T 845)	6	
3	1MU6011300	Fixed Hood Ring	2	
4	9275360160111300	Screw M6×16 (GB/T 973)	8	
5	9271348190006300	Screw ST4.8×19 (GB/T 845)	2	
6	1MU602310001	Rear Floor	1	
7	9397342000002300	Spring Nut ST4.2 (Q397A)	4	
8	1MU602510001	Right Mudguards	1	

6- FOOT BOARD



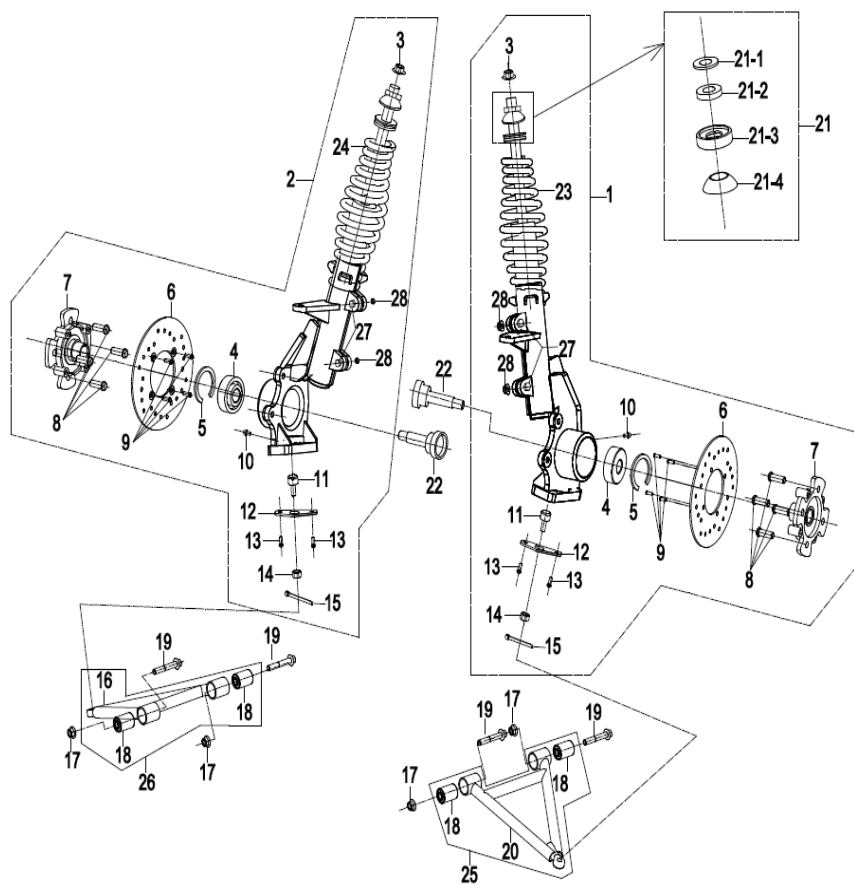
NO.	CODE	DESCRIPTION	QTY.	
1	1MU601610001	Upper Floor	1	
2	9397342000002300	Spring Nut ST4.2 (Q397A)	30	
3	1MU6016300	Retaining Rubber Clip	1	
4	1MU6016210	Retaining rubber	1	
5	1MU601910001	Foot Cover , LF	1	
6	9271348190006300	Screw ST4.8×19 (GB/T 845)	2	
7	9275360160111300	Screw M6×16 (GB/T 973)	10	
8	1MU602110001	Foot Cover , RF	1	
9	1MU601510001	Lower Floor	1	
10	9271348160006300	Screw ST4.8×16 (GB/T 845)	13	
11	1EU6110110	Warning Decal 1 (Aluminum Plate)	1	
12	9441004010000000	Rivet 4×10	4	
13	9402305000031300	Washer 5(GB/T 96.1)	4	
14	9218380650261300	Bolt M8×65	1	
15	9340308013261300	Nut M8	2	

7- CHASSIS SHIELD



NO.	CODE	DESCRIPTION	QTY.	
1	1MU602610001	Chassis Shield	1	
2	9275360160111300	Screw M6×16 (GB/T 973)	18	
3	1MU602210001	Large Storage	1	
4	1MU6180300	Heat Insulation Film	1	
5	9402308000031300	Washer 8 (GB/T 96.1)	18	

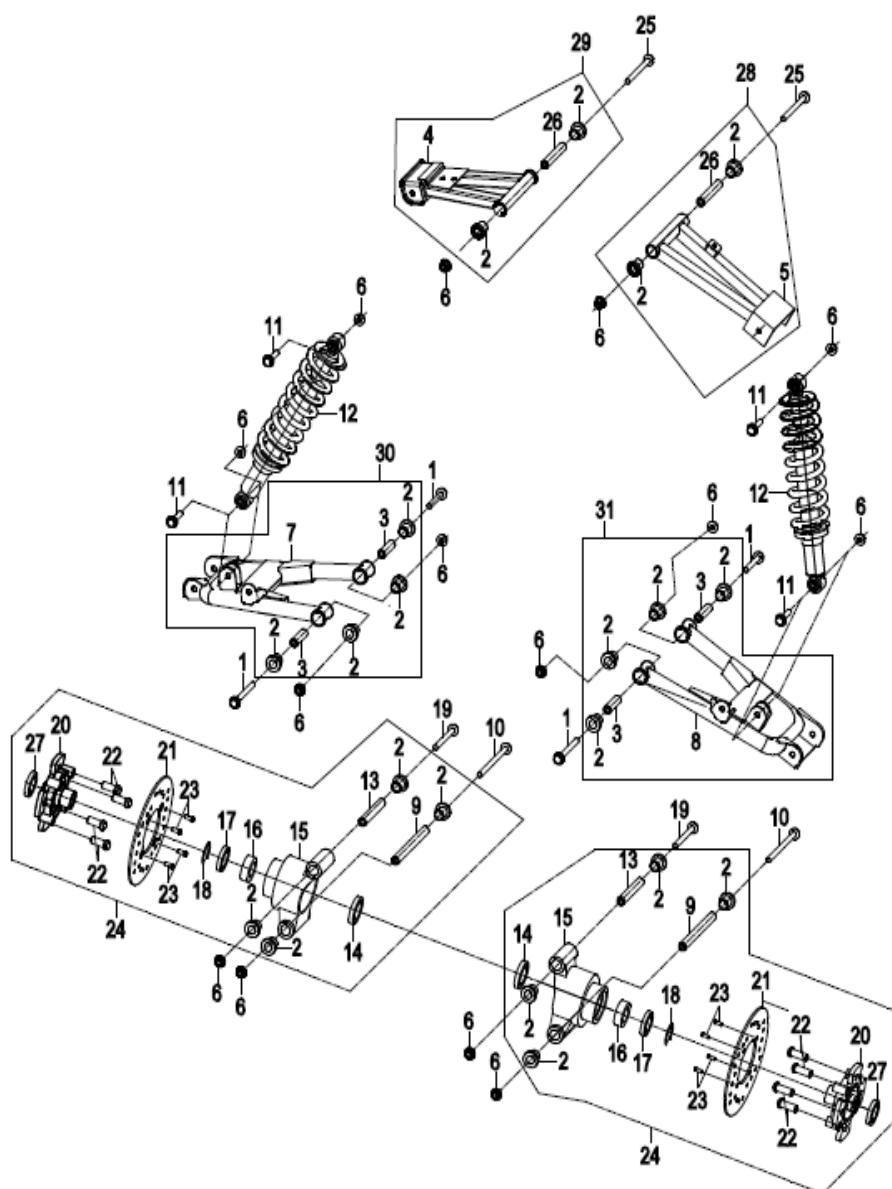
8- FRONT SUSPENSION SYSTEM



NO.	CODE	DESCRIPTION	QTY.
1	1MUX542301	Front Shock Strut Body Assy, L	1
2	1MUX542501	Front Shock Strut Body Assy, R	1
3	9330314021361300	Nut M14×1.5 (GB/T 6187.2)	2
4	1MU5427000	Bearing35	2
5	9430164000000000	Circlip 64(GB/T 893.1)	2
6	1MU5455300	Brake Disc , F	2
7	1MU545510001	Hub , FR Wheel	2
8	1MU5555200	Bolt	8
9	9151308020281300	Bolt M8×20 (GB/T 5783)	8
10	1MU5426000	Grease Fitting M6	2
11	1MU5424000	Ball Joint Stud	2
12	1MU5423200	Coupling Mounting Plate	2
13	9254360160101300	Bolt M6×16 (GB/T 819.1)	4
14	9383310016261300	Slotted Nut M10×1.25 (GB/T 9459)	2
15	9500325025002300	Cotter Pin 2.5×25	2
16	2MU5431000	A-Arm ,R	1
17	9330312018261300	Nut M12×1.25 (GB/T 6187.2)	4
18	1MU5412000	Bushing	4
19	1MU5410100	A-Arm Pivot Shaft	4

20	2MU5411000	A-Arm, L	1	
21	1MUX542020	Upper Pivot Ball ASSY	1	
21-1	9401314000031300	WASHER 14 (GB/T 97.1)	2	
21-2	1MU5420900	SPACER RUBBER	2	
21-3	1MU5420200	UPPER PIVOT BALL	2	
21-4	1MU5420300	LOWER PIVOT BALL	2	
22	1MU5450100	Front wheel mounting shaft	2	
23/24	2MU5421010	Front shock absorber ASSY (white)	2	
25	1MUX541100	A-Arm (Bushing) ,L	1	
26	1MUX543100	A-Arm (Bushing) ,R	1	
27	9186308040266300	Bolt M8×40 (GB/T 5789)	4	
28	9330308013241300	Nut M8 (GB/T 6187.1)	4	

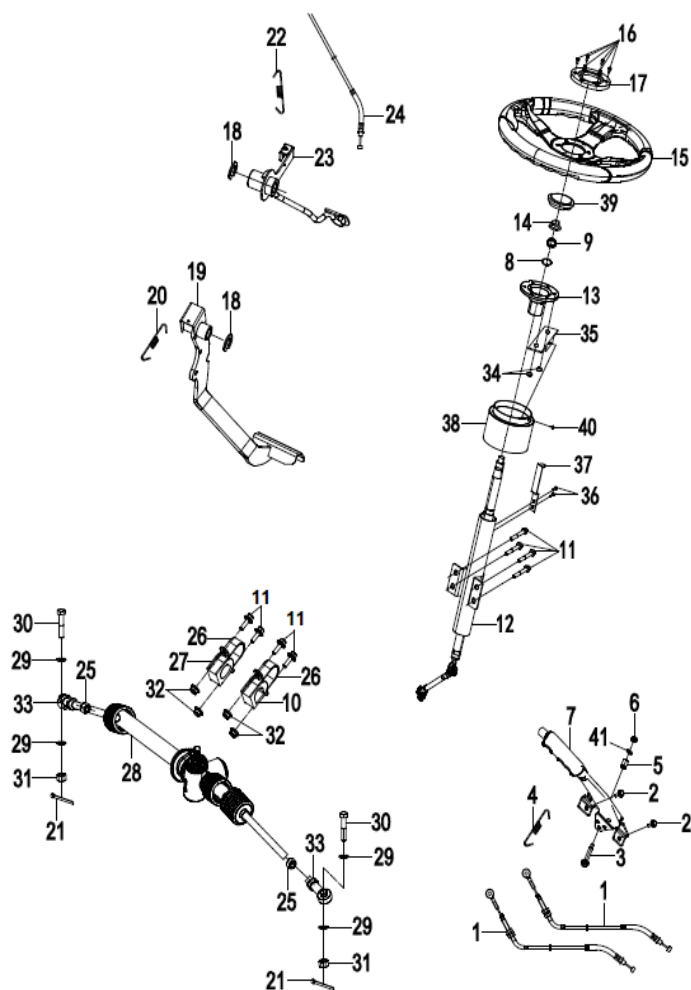
9- REAR SUSPENSION SYSTEM



NO.	CODE	DESCRIPTION	QTY.
1	1MU5510200	Bolt M10×1.25×80	4
2	1MU5510300	Bush 1 , Arm	20
3	1MU5510500	Collar Rear , L Lower	4
4	1MU5531000	Arm Set, Rear .R Upper	1
5	1MU5511000	Arm Set, Rear .L Upper	1
6	9330310015261300	Nut M10×1.25 (GB/T 6187.2)	14
7	1MU5533010	Arm Set, Rear .R Lower	1
8	1MU5513010	Arm Set, Rear .L Lower	1
9	1MU5514600	Collar Upper	2
10	1MU5514300	Bolt M10×1.25×135	2
11	1MU5520100	Bolt M10×1.25×50	4
12	1MU55210021	Shock ASSY , Rear	2

13	1MU5514500	Collar Lower	2	
14	1MU5515000	Seal 61.5 43 12	2	
15	1MU551410001	Knuckle	2	
16	1MU5517000	Bearing34	2	
17	1MU5516000	Seal 58 41.2 12	2	
18	9430158000000000	Circlip 58(GB/T 893.1)	2	
19	1MU5514200	Bolt M10×1.25×110	2	
20	1MU555510001	Hub , FR Wheel	2	
21	1MU5555400	Brake Disc , R	2	
22	1MU5555200	Bolt	8	
23	9151308020281300	Bolt M8×20 (GB/T 5783)	8	
24	1MUX551400	Rear Hub ASSY	2	
25	1MU5510100	Bolt M10×1.25×174	2	
26	1MU5510400	Collar Rear, L Upper	2	
27	1MU5555300	Oil Seal	2	
28	1MUX553100	Arm Set, Rear .R Upper Packing ASSY	1	
29	1MUX551100	Arm Set, Rear .L Upper Packing ASSY	1	
30	1MUX551301	Arm Set, Rear .L Lower Packing ASSY	1	
31	1MUX553301	Arm Set, Rear .R Lower Packing ASSY	1	

10- STEERING ASSY

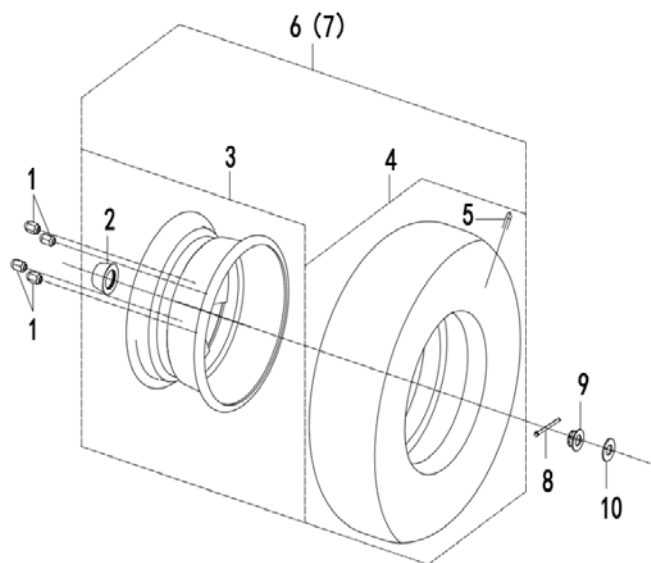


NO.	CODE	DESCRIPTION	QTY.
1	1MU5652000	Parking cable	2
2	9186308016266300	Bolt M8×16 (GB/T 5789)	2
3	1MU5650300	Parking Handle Axis	1
4	1MU5650200	Spring , Parking Handle	1
5	1MU5650400	Bushing	1
6	9330306010141300	Nut M6 (GB/T 6187.1)	1
7	1MU5651000	Parking Handle ASSY	1
8	9401312000031300	Washer 12 (GB/T 97.1)	1
9	9403112000000000	Spring Washer 12 (GB/T 93)	1
10	1MU5610910	Bush B	1
11	9186310020281300	Bolt M10×1.25×20 (GB/T 5789)	8
12	1MU561300001	Column, Steering	1
13	2MU5610100	Holder, Steering Wheel	1
14	9350312018261300	Nut M12×1.25 (GB/T 6173)	1
15	1MU5611000	Wheel, Steering	1
16	9218250200100000	Screw M5×20 (GB/T 70.1)	6
17	2MU5610200	Cover, Steering Wheel	1
18	9431116000000000	Circlip 16	2

19	1MU5616020	Pedal, Brake	1	
20	1MU5610400	Spring A, Brake Pedal	1	
21	9500325025002300	COTTER PIN 2.5×25	2	
22	1MU5610300	Spring, Throttle	1	
23	1MU5614010	Pedal, Throttle	1	

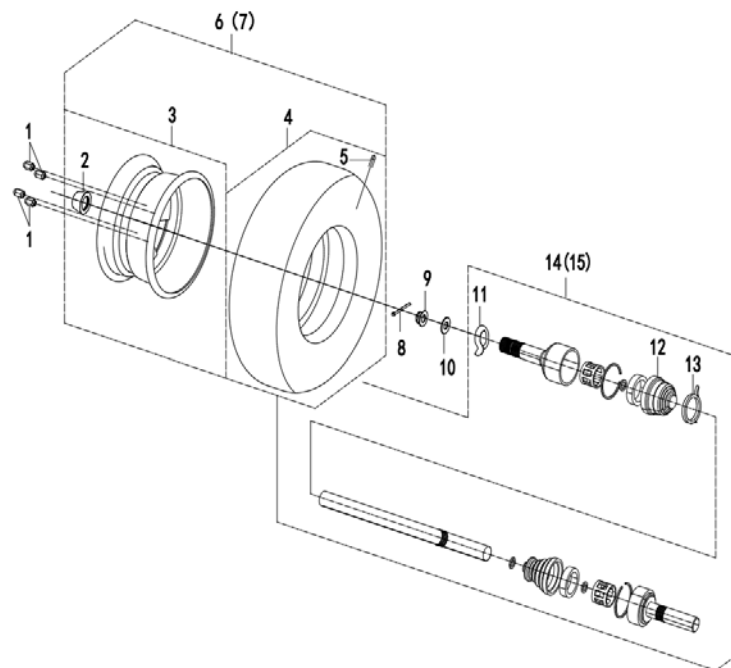
24	1MU5615000	Cable, Throttle	1	
25	9340312018261300	Nut M12×1.25 (GB/T 6171)	1	
26	1MU5610700	Cover , Steering	2	
27	1MU5610810	Bush A	1	
28	1MU5612000	Steering ASSY	1	
29	9401310000031300	Washer 10 (GB/T 97.1)	4	
30	9173310055281300	Bolt M10×1.25×55	2	
31	9383310016261300	Slotted Nut M10×1.25 (GB/T 9459)	2	
32	9330310015261300	Nut M10×1.25 (GB/T 6187.2)	4	
33	1MU5617000	Tie Rod End B	2	
34	9350305080011300	Nut M5 (GB/T 6172)	2	
35	2MU5618110	Horn Switch Bracket	1	
36	9214340060002300	Screw M4×6 (GB/T 818)	2	
37	2MU5619000	Plastic Sleeve Bracket	1	
38	2MU5618000	Steering Wheel Plastic Sleeve	1	
39	2MU5610600	Horn Switch	1	
40	9271348160006300	Screw ST4.8×16 (GB/T 845)	1	
41	9402306000031300	Washer 6	1	

11- FRONT WHEEL



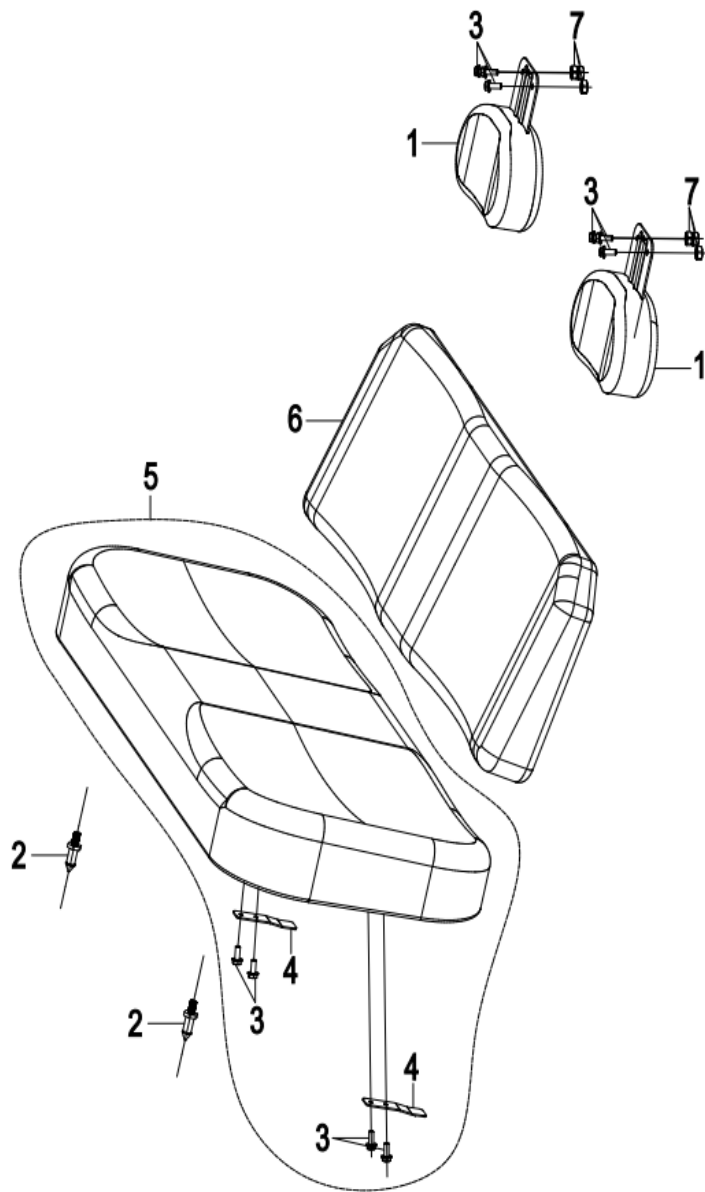
NO.	CODE	DESCRIPTION	QTY.	
1	1MU545030001	Nut , Wheel	8	
2	1MU5456110	CAP , Wheel Center	2	
3	1MU5456000	Rim (AL)	2	
4	9925241208060000	Tire , FR25×8-12 Off Road	2	
5	1MU5554000	Valve , Rim(TR412)	2	
6	1MUX546320	Tire ASSY FR (AL) 24×8-12 (P3066)	1	
7	1MUX546120	Tire ASSY FL (AL) 24×8-12 (P3066)	1	
8	9500340032002300	Cotter PIN 4×32	2	
9	1MU5450400	Slotted Nut	2	
10	9408320000001300	Washer 20 (GB/T 1230)	2	

12- REAR WHEEL



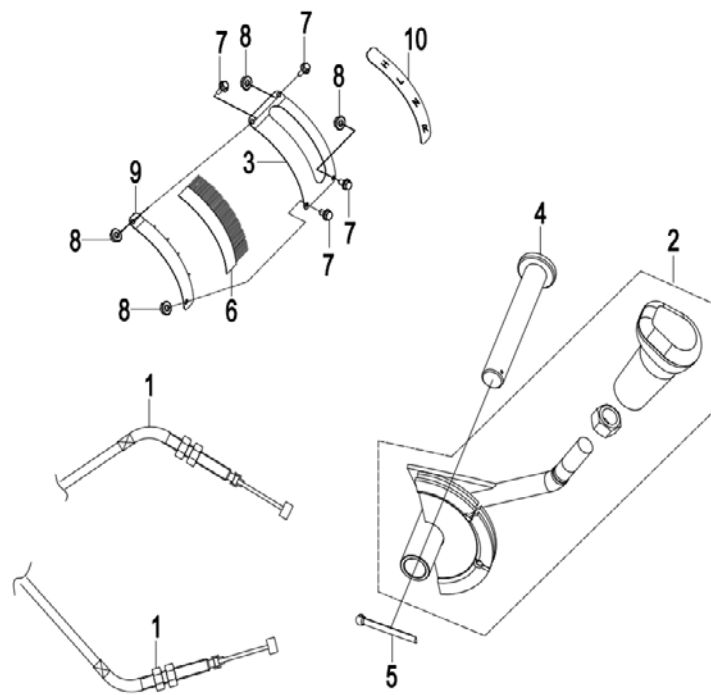
NO.	CODE	DESCRIPTION	QTY.	
1	1MU545030001	Wheel Nut	8	
2	1MU5456110	Wheel Center CAP	2	
3	1MU5456000	Rim (AL)	2	
4	9925241208060000	Tire , FR25×8-12 Off Road	2	
5	1MU5554000	Valve , Rim(TR412)	2	
6	1MUX556320	Tire ASSY RR (AL) 24×8-12 (P3066)	1	
7	1MUX556120	Tire ASSY RL (AL) 24×8-12 (P3066)	1	
8	9500340032002300	Cotter Pin 4×32	2	
9	1MU5450400	Slotted Nut	2	
10	9408320000001300	Washer 20 (GB/T 1230)	2	
11	1MU5710600	Clamp	1	
12	1MU5710800	Boot	1	
13	1MU5710900	Circlip A	1	
14	1MU5710000	Rear Drive Axle ASSY ,L	1	

- 42 -
13- SEAT ASSY



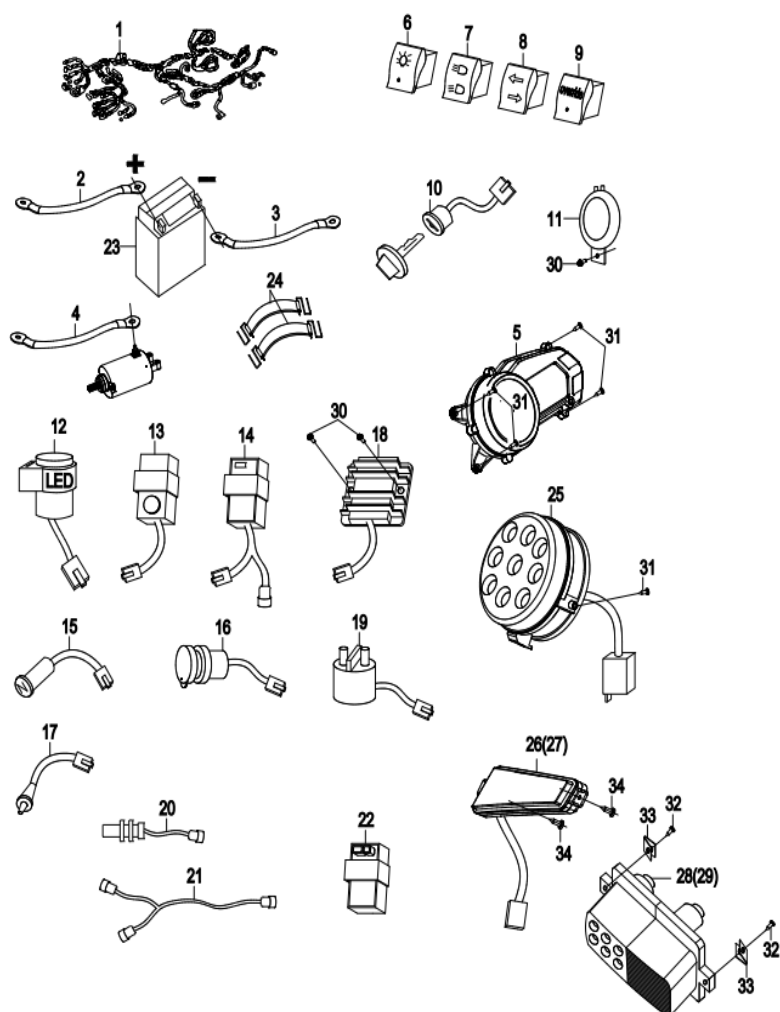
NO.	CODE	DESCRIPTION	QTY.	
1	1MU5820010	Head Rest ASSY	2	
2	1MU5810210	Seat ASSY Pin	2	
3	9186306016166300	Bolt M6×16 (GB/T 5789)	10	
4	1MU5810100	Seat Lock	2	
5	1MU5810000	Seat ASSY	1	
6	1MU5831000	Back Rest	1	
7	9330306010141300	Nut M6 (GB/T 6187.1)	6	

14- SHIFTING ROD



NO.	CODE	DESCRIPTION	QTY.
1	1MU5362000	Cable, Shifter ASSY	2
2	1MU5661010	Shift ASSY	1
3	2MU6014300	Shift Cover	1
4	1MU5660100	Axle Of The Shifter	1
5	9500325025002300	Cotter Pin 2.5×25	1
6	2MU6014500	Shift Brush	1
7	9214350160011300	Screw M5×16(GB/T 818)	4
8	9350305080011300	Nut M5	4
9	2MU6014400	Pressing Plate	1
10	1MU6121500	Shift Decal(4 gear)	1

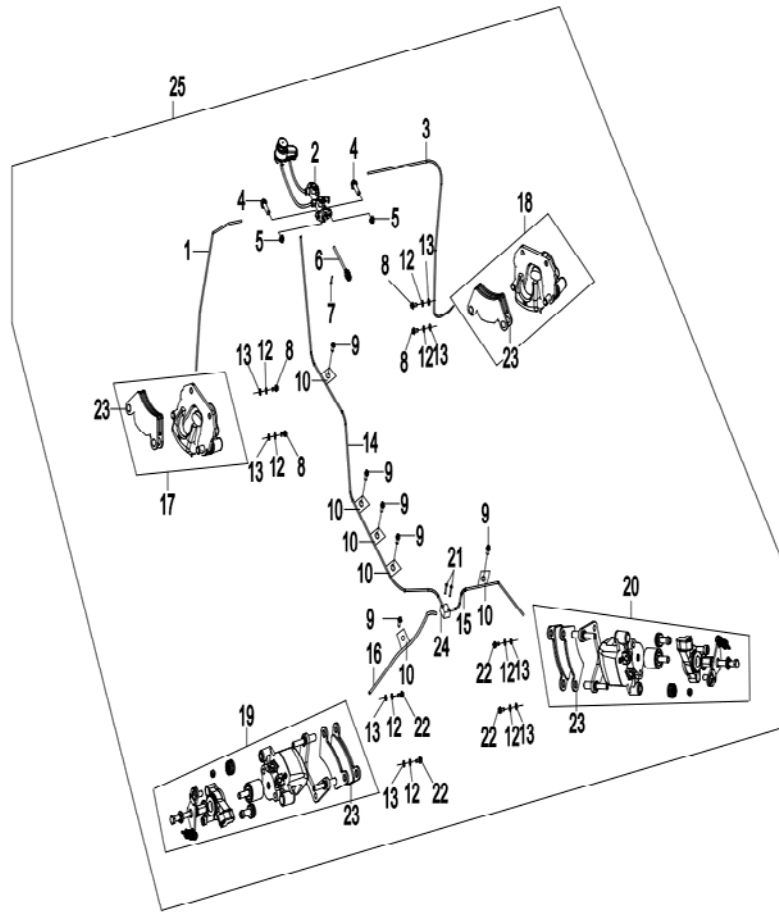
15- ELECTRICAL SYSTEM



NO.	CODE	DESCRIPTION	QTY.
1	1MU8170000	Wiring Harness	1
2	1MU8081000	Starter Wire 1	1
3	1MU8082000	Starter Wire 2	1
4	1ME8189200	Starter Wire 3	1
5	1MU8030100	LCD Meter	1
6	1MU8052000	Light Switch	1
7	1MU8053000	Hi/ Lo Beam Switch	1
8	1MU8059000	Steering Lamp Switch	1
9	1MU8054000	Override Switch	1
10	1MU8051000	Ignition Switch	1
11	1MU8064000	Horn	1
12	1MU8020800	Flasher Relay ASSY (Led)	1
13	1MU8091000	Reverse Relay ASSY	1
14	1MU8094000	Reverse Speed Limiter	1
15	1MU8018000	Neutral Light	1
16	1MU8063000	Accessory Socket ASSY	1
17	1MU8085000	Brake Switch	1

18	1MU8096000	Regulator Rectifier	1	
19	1MU8095000	Starter Relay	1	
20	1MU8093000	Speed Sensor	1	
21	1MU8084000	Sensor Cable	1	
22	1ME8146000	C.D.I Unit	1	
23	1MU809700001	Battery	1	
24	1MU8101000	Battery Belt	2	
25	1MU8013000	Headlight(Led)	2	
26	1MU8020100	LED Turn Signal Light, FR	1	
27	1MU8020200	LED Turn Signal Light, FL	1	
28	1MU8014000	LED Tail Light, L(Driver Side)	1	
29	1MU8015000	LED Tail Light, R(Passenger Side)	1	
30	9186306016166300	Bolt M6×16 (GB/T 5789)	3	
31	9271342130006300	Screw St4.2×13 (GB/T 845)	6	
32	9271348160006300	Screw St4.8×16 (GB/T 845)	4	
33	9397342000002300	Spring Nut St4.2 (Q397A)	4	
34	9271339095006300	Screw St3.9×9.5 (GB/T 845)	4	

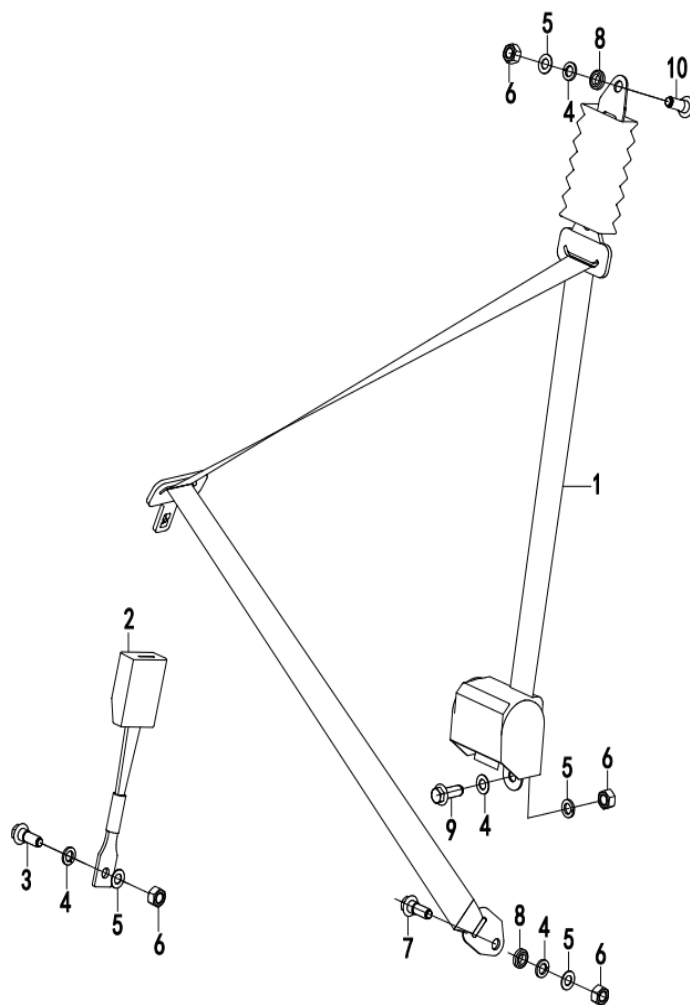
16- BRAKING ASSY



NO.	CODE	DESCRIPTION	QTY.
1	1MU5635000	Front Brake hose Assemblies (Driver Side)	1
2	1MU5632000	Brake Master Pump ASSY	1
3	1MU5636000	Front Brake hose Assemblies(Passenger Side)	1
4	9184308030261300	Bolt M8×30 (GB/T 16674.1)	2
5	9330308013241300	Nut M8 (GB/T 6187.1)	2
6	1MU5632700	Putter	1
7	9500320025002300	Cotter Pin 2.0×25	1
8	9151308025281300	Bolt M8×25 (GB/T 5783)	2
9	9184306012161300	Bolt M6×12 (GB/T 16674.1)	6
10	1MU5631100	Clamp	8
11	9151308025281300	Bolt M8×25 (GB/T 5783)	2
12	9403108000000000	Spring Washer 8 (GB/T 93)	8
13	9401308000031300	Washer 8 (GB/T 97.1)	8
14	1MU5642000	Middle Brake hose Assemblies	1
15	1MU5641000	Rear Brake hose Assemblies(Passenger Side)	1
16	1MU5639000	Rear Brake hose Assemblies (Driver Side)	1
17	1MU5633000	Front Brake caliper ASSY (Driver Side)	1
18	1MU5634000	Front Brake caliper ASSY(Passenger Side)	1
19	1MU5637000	Rear Brake caliper ASSY (Driver Side)	1

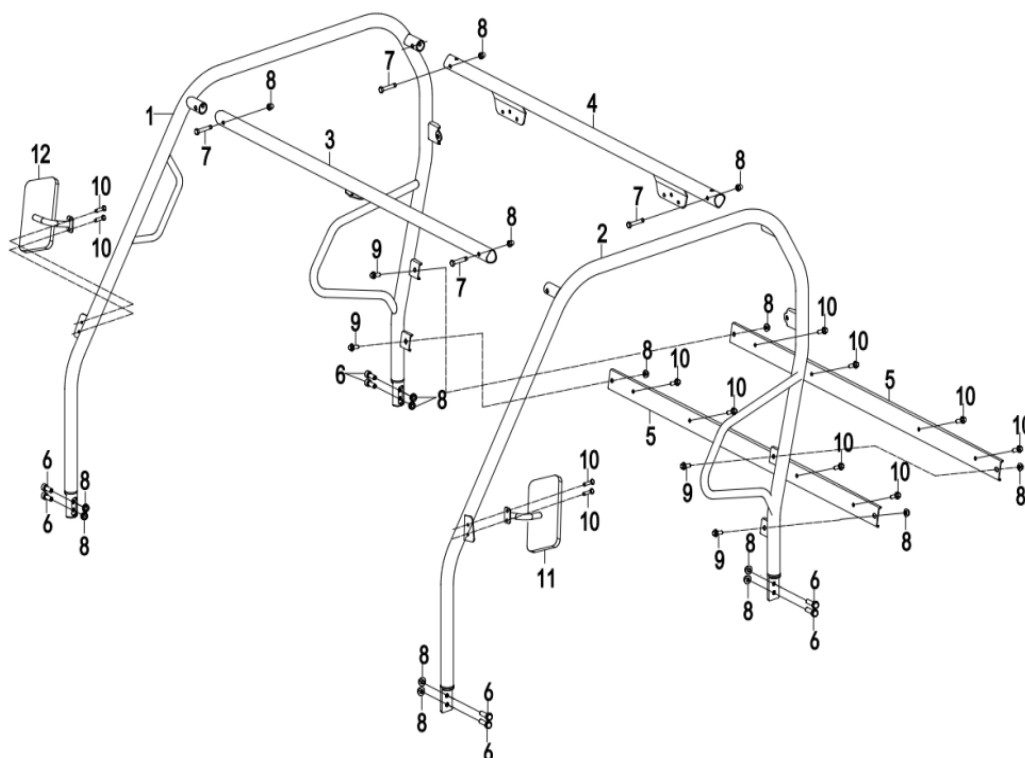
20	1MU5638000	Rear Brake caliper ASSY(Passenger Side)	1	
21	9214350300012300	Screw M5×30(GB/T 818)	2	
22	9151308020281300	Bolt M8×20 (GB/T 5783)	4	
23	1MU5633200	Inside/Outside Pad	4	
24	1MU5643000	Brake Tubing Tee	1	
25	1MU5631020	Brake assy.	1	

- 48 -
17- SEAT BELT



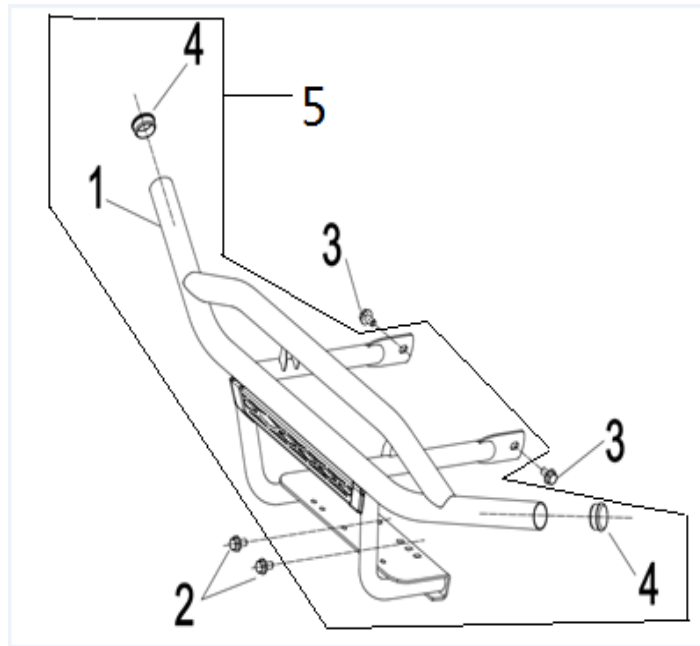
NO.	CODE	DESCRIPTION	QTY.	
1	1MU7150010	Belt(3 POINT)	2	
2	1MU7155000	Belt Lock ASSY	2	
3	1MU7150100	Bolt	2	
4	1MU7150200	Spring Washer	8	
5	1MU7150300	Washer	8	
6	1MU7150400	Nut	8	
7	1MU7150500	Bolt A	2	
8	1MU7150600	Washer	4	
9	1MU7150700	Bolt	2	
10	1MU7150800	Bolt B	2	

18- ROLL CAGE



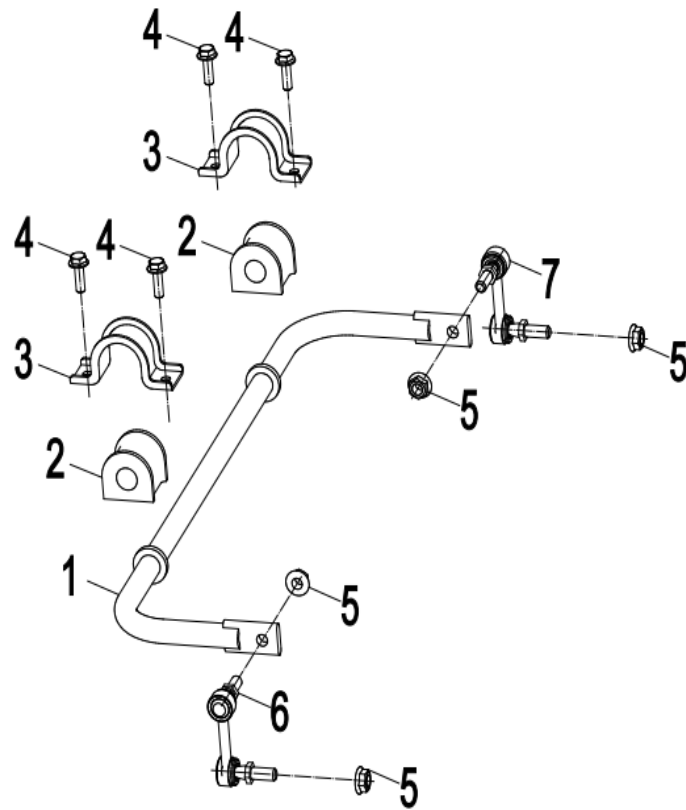
NO.	CODE	DESCRIPTION	QTY.	
1	1MU5210040	Member, Roof Frame 1	1	
2	1MU5240040	Member, Roof Frame 4	1	
3	1MU5220000	Member, Roof Frame 2	1	
4	1MU5230000	Member, Roof Frame 3	1	
5	1MU5830100	Mounting Bracket	2	
6	9218310030361300	Bolt M10×1.5×30 (GB/T 70.1)	8	
7	9186310045281300	Bolt M10×1.25×45 (GB/T 5789)	4	
8	9332310016361300	Nut M10×1.25 (GB/T 6187.2)	16	
9	9186310016286300	Bolt M10×1.25×16 (GB/T 5789)	4	
10	9186306016166300	Bolt M6×16 (GB/T 5789)	8	
11	2MU7022000	Left Rear View Mirror	1	
12	2MU7021000	Right Rear View Mirror	1	

19- Front bumper



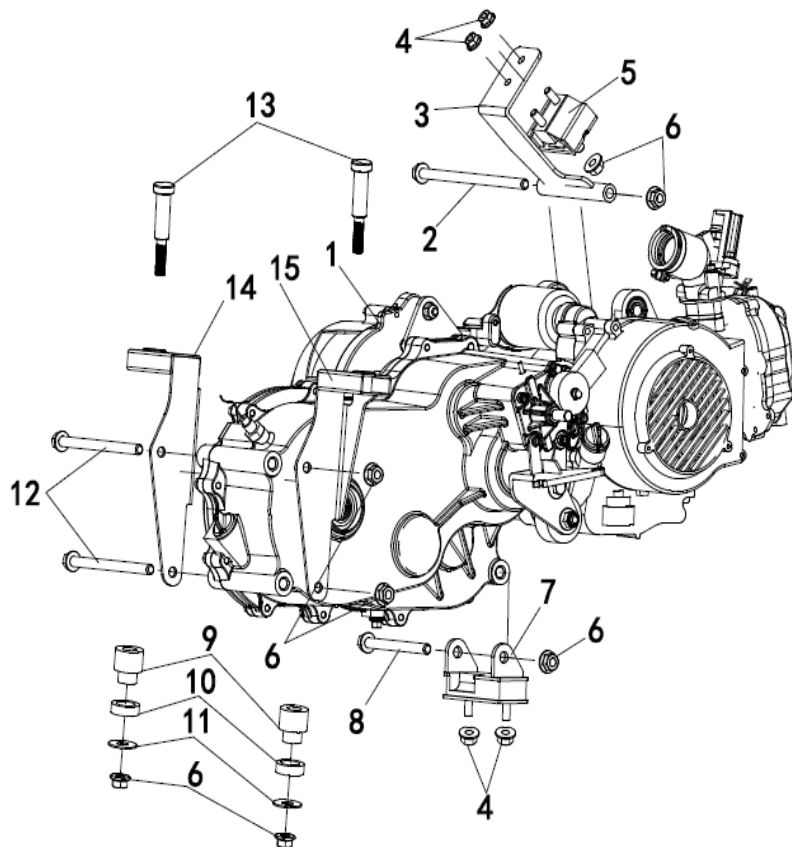
NO.	CODE	DESCRIPTION	QTY.	
1	1MU5250030	Front Bumper	1	
2	9186308020261300	Bolt M8×20 (GB/T 5789)	2	
3	9186310020281300	Bolt M10×1.25×20 (GB/T 5789)	2	
4	1MU5000100	Plug	2	
5	1MUX525003	Front Bumper (Plug)	1	

20- Rear stabilizer bar

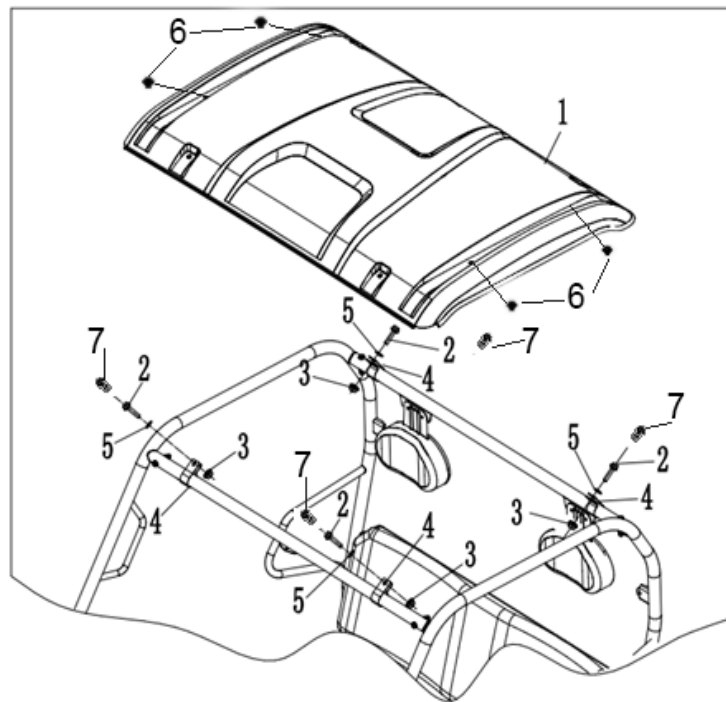


NO.	CODE	DESCRIPTION	QTY.
1	1MU5561000	Bar ,Stabilizer	1
2	1MU5560200	Bush. Stabilizer	2
3	1MU5560100	Holder, Stabilizer Bush	2
4	9186308020261300	Bolt M8×20 (GB/T 5789)	4
5	9330310015261300	Nut M10×1.25 (GB/T 6187.2)	4
6	1MU5563000	Joint , Stabilizer R	1
7	1MU5562000	Joint , Stabilizer L	1

21- Engine Mounting

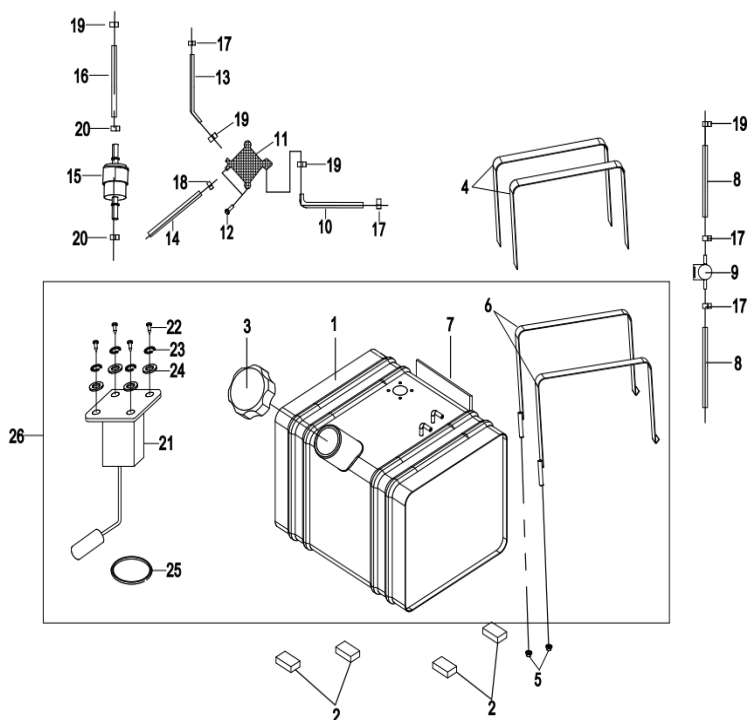


NO.	CODE	DESCRIPTION	QTY.
1	1MF1000000	ENGINE ASSEMBLY	1
2	1MU5010400	BOLT M10×1.25×191	1
3	1MU5015000	FRONT ENGINE MOUNT BRACKET	1
4	9330308013241300	NUT M8 (GB/T 6187.1)	4
5	2MU5015000	ENGINE CUSHIONING RUBBER PAD	1
6	9330310015261300	NUT M10 (GB/T 6187.2)	7
7	1MU5018000	LOWER ENGINE SUPPORT	1
8	1MU5514200	BOLT M10×1.25×110	1
9	1MU5010200	Transmission Damper Upper B	2
10	1MU5010100	Transmission Damper Upper A	2
11	9402310000031300	Washer 10 (GB/T 96.1)	2
12	1MU501070001	BOLT M10X1.25X142	2
13	1MU5010300	Bolt	2
14	1MU5016000	REAR LEFT ENGINE MOUNT BRACAKET	1
15	1MU5017000	REAR RIGHT ENGINE MOUNT BRACAKET	1



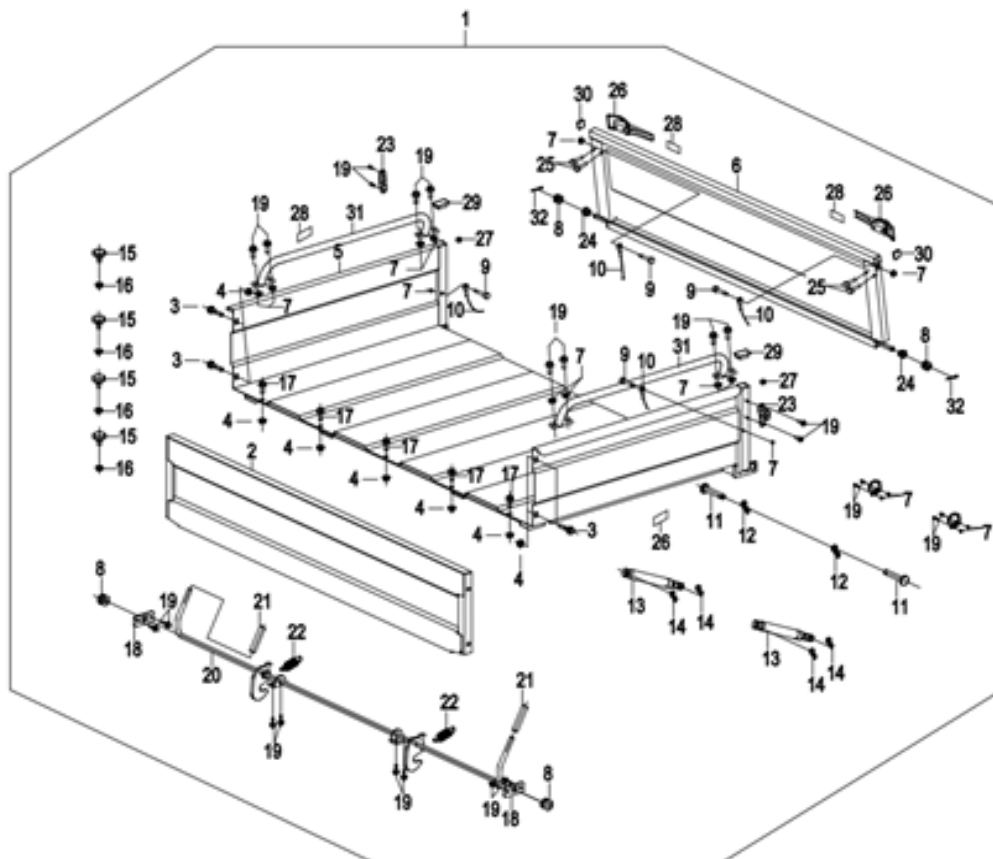
NO.	CODE	DESCRIPTION	QTY.	
1	1MU7060100	Roof	1	
2	9184308025261300	Bolt M8×25 (GB/T 16674.1)	4	
3	9330308013241300	Nut M8 (GB/T 6187.1)	4	
4	1MU7060200	Rubber, Roof	4	
5	9401308000031300	Washer 8 (GB/T 97.1)	4	
6	1MU7060300	Plug φ12	4	
7	1MU7060400	Roof Bolt Cover	4	

23- FUEL TANK



NO.	CODE	DESCRIPTION	QTY.
1	1ME2411000	FUEL TANK	1
2	1MU6180100	DAMPER,PLATE LOWER	4
3	1ME2413000	FUEL CAP	1
4	1ME2411600	DAMPER,PLATE UPPER	2
5	9330308013241300	NUT M8 (GB/T 6187.1)	2
6	1ME2411500	STAY,FUEL TANK	2
7	1MU6180300	Heat insulation film	1
8	1ME2400400	PIPE	2
9	1ME2443000	ROLL OVER VALVE ASSY	1
10	1ME2400300	EPA FUEL PIPE 3	1
11	1ME2441000	VACUUM PUMP	1
12	9186306016166300	BOLT M6×16 (GB/T 5789)	2
13	1ME2400500	VACUUM PIPE	1
14	1ME2400200	EPA FUEL PIPE 2	1
15	1ME2442000	Oil filter	1
16	1ME2400100	EPA FUEL PIPE 1	1
17	9673309000005300	Clamps (d=φ9)	4
18	9673312000005300	Clamps (d=φ12)	1
19	9673310000005300	Clamps (d=φ10)	4
20	9673314000005300	Clamps (d=φ14)	2
21	1MU8065000	Fuel Sensor	1
22	9214350160011300	Screw M5×16(GB/T 818)	4
23	9402305000031300	Washer 5 (GB/T 96.1)	4
24	9403105000000000	Spring Washer 5 (GB/T 93)	4
25	9960018265000000	O-ring 26.5*1.8	1
26	1MEX241100	Fuel Tank Packing ASSY	1

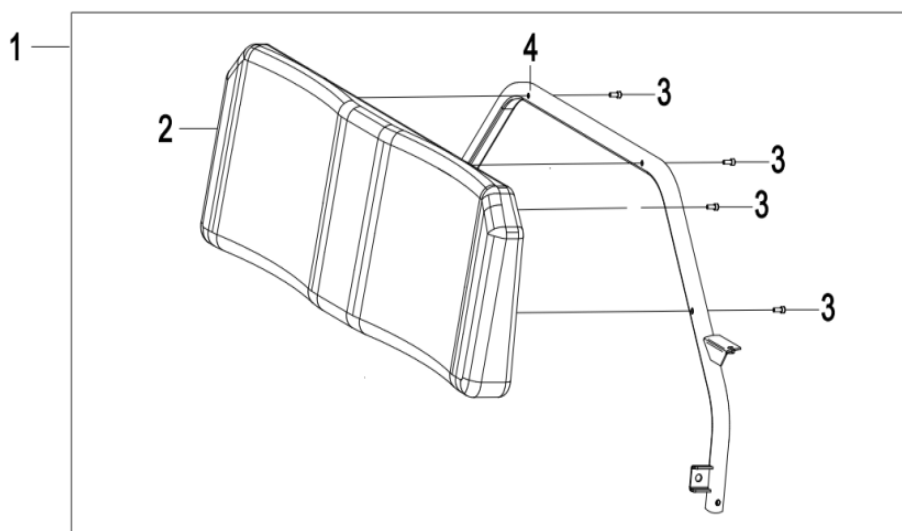
BOX ASSY—FOR 200U and 200MFV



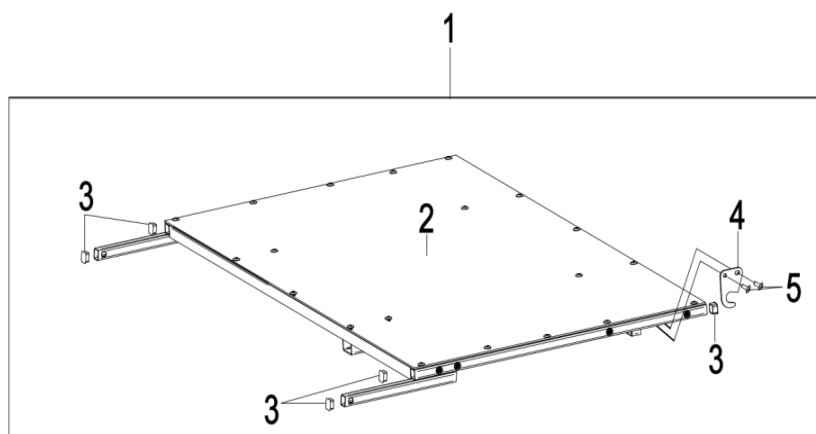
NO.	CODE	DESCRIPTION	QTY.	
1	1MU5920000	Carrier Box ASSY (New Wrench Pull Rope)	1	
2	1MU5921000	Box Cover, FR	1	
3	9186308040266300	Bolt M8×40 (GB/T 5789)	4	
4	9330308013241300	Nut M8 (GB/T 6187.1)	9	
5	1MU5922000	Box Main Cover	1	
6	1MU5924000	Box Cover, RR	1	
7	9330306010141300	Nut M6 (GB/T 6187.1)	12	
8	1MU6011300	Fixed Hood Ring	4	
9	1MU5650300	Parking Handle Axis	4	
10	1MU5903600	Cord Stay	2	
11	1MU5900100	Pin Axle	2	
12	9501304075000000	B Pin 4×75(GB/T 623)	2	
13	1MU5902000	Damper	2	
14	9500301830000000	B Pin 1.8×30(GB/T 623)	4	
15	1MU5901000	Rubber Stopper	4	
16	9350308013245300	Nut M8 (GB/T 6173)	4	
17	9186308020261300	Bolt M8×20 (GB/T 5789)	5	
18	1MU5910600	Holder, Latch	2	
19	9186306016166300	Bolt M6×16 (GB/T 5789)	20	
20	1MU5925010	Latch ASSY	1	

21	1MU5910700	Cap, Protector End	2	
22	1MU5910500	Spring	2	
23	2MU5903900	Hook Plate	2	
24	2MU590370001	Plastic Sleeve	2	
25	9184306035166300	Bolt M6×35 (GB/T 16674.1)	4	
26	2MU590300001	Holder Stick ASSY	2	
27	1MU5900200	Cushion Rubber	2	
28	1MU6140910	Reflecting Film(Red)	4	
29	1MU7087600	Rectangular Plug 50 × 25	2	
30	1MU7087100	Plug 20×20	2	
31	1MU5319000	Container handrail tube	2	
32	9500340032002300	Cotter Pin 4*32	2	

REAR SEAT ASSY—ONLY FOR 200MFV

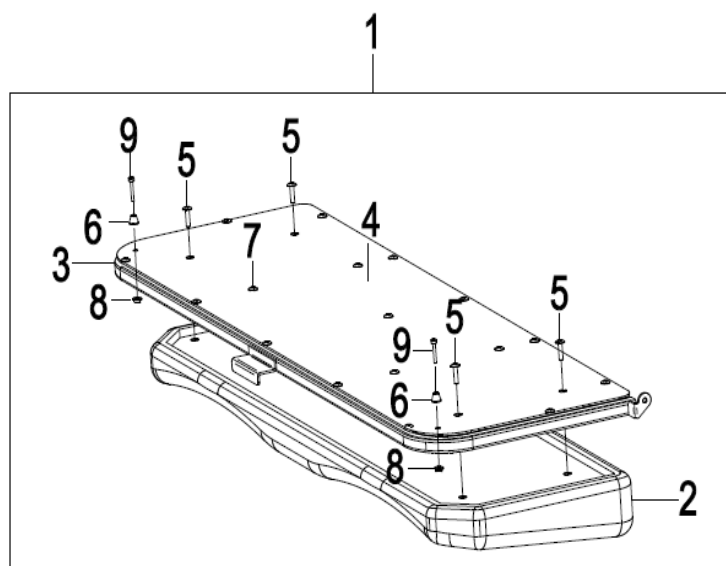


NO.	CODE	DESCRIPTION	QTY.
1	1MUX708500	Rear Backrest Support Packing ASSY	1
2	1MU5831000	Back Rest	1
3	9275360450111300	Bolt M6×45 (GB/T 973)	4
4	1MU7085000	Rear Backrest Support	1

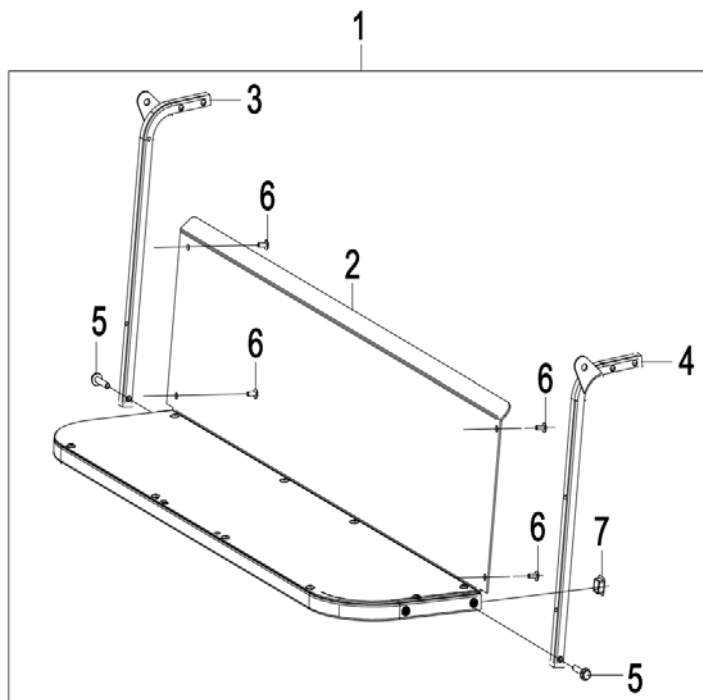


NO.	CODE	DESCRIPTION	QTY.
1	1MUX708100	Rear Plate Packing ASSY	1
2	1MU7081000	Rear Plate ASSY	1
3	1MU7087100	20X20Plug	6
4	1MU7080100	Front Hook Bracket	2
5	9186306016161300	Bolt M6×16 (GB/T 5789)	4

REAR SEAT ASSY—ONLY FOR 200MFV

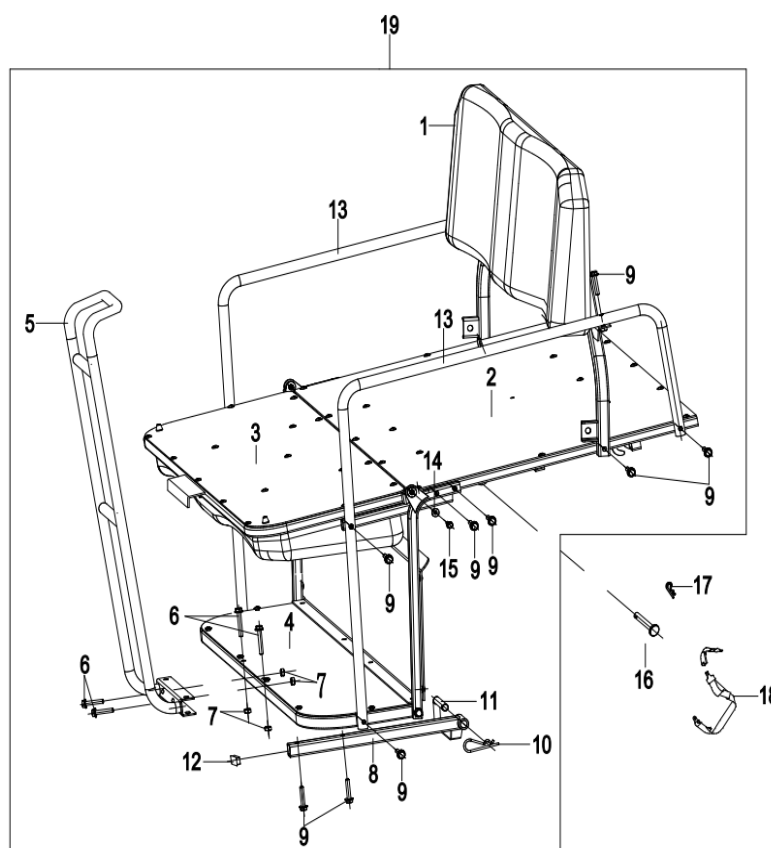


NO.	CODE	DESCRIPTION	QTY.	
1	1MUX708200	Turnover Plate Packing ASSY	1	
2	1MU5831000	Back Rest	1	
3	1MU7082010	Turnover Plate ASSY	1	
4	1MU7080900	Cushion Turnover Board	1	
5	9275360450111300	Bolt M6×45 (GB/T 973)	4	
6	1MU7080800	Cushion Rubber	2	
7	9271348190006300	Screw St4.8×19 (GB/T 845)	18	
8	9153006020108200	Bolt M6×20 (GB/T 5786)	2	
9	9350006100108200	Nut M6 (6172)	2	



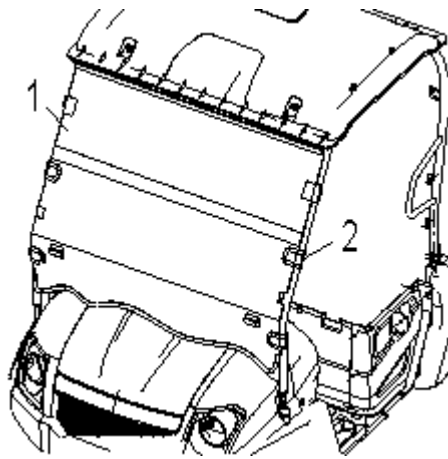
NO.	CODE	DESCRIPTION	QTY.	
1	1MUX708040	Pedal Packing ASSY	1	
2	1MU7084000	Pedal Bracket	1	
3	1MU7088010	Pedal Bracket (Driver Side)	1	
4	1MU7089010	Pedal Bracket (Passenger Side)	1	
5	9186308040262300	Bolt M8×40 (GB/T 5789)	2	
6	9186306016161300	Bolt M6×16 (GB/T 5789)	4	
7	1MU7087200	25X25Plug	2	

REAR SEAT ASSY—ONLY FOR 200MFV



NO.	CODE	DESCRIPTION	QTY.	
1	1MUX708500	Rear Backrest Support Packing ASSY	1	
2	1MUX708100	Rear Plate Packing ASSY	1	
3	1MUX708200	Turnover Plate Packing ASSY	1	
4	1MUX708040	Pedal Packing ASSY	1	
5	1MU7086020	Middle Handrail	1	
6	9186308050262300	Bolt M8×50 (GB/T 5789)	4	
7	9330308013242300	Nut M8 (GB/T 6187.1)	2	
8	1MU7083010	Support Connecting Tube ASSY	1	
9	9186308040262300	Bolt M8×40 (GB/T 5789)	18	
10	9501304075000000	B Shape Pin	2	
11	1MU7080700	Thumb Lock	1	
12	1MU7087500	40X25Plug	1	
13	1MU7080600	Handrail Pipe	2	
14	1MU7080210	Bushing	2	
15	9184308025261300	Boltm8X25(GB/T 5789)	2	
16	1MU5900100	Pin Axle	2	
17	9500340032002300	Cotter Pin 4×32	2	
18	1MU7120000	Belt	2	
19	1MUX708000	REAR SEAT ASSY	1	

Optional Accessories



NO.	CODE	DESCRIPTION	QTY.	
1	1MU7070020	Windshield ASSY	1	
2	1MU7072000	Windshield Hold Hoop	4	
3	150 WINCH	WINCH	1	
3	150 WINCH-S	WINCH SWITCH	1	
4	80054-150UB	LED LIGHT BAR	1	
4	80054-150UB-S	LED LIGHT BAR SWTICH	1	